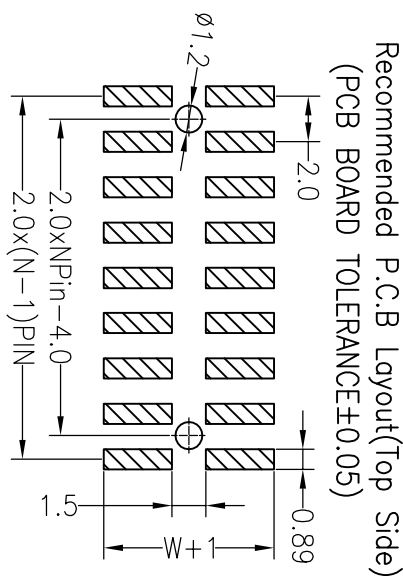
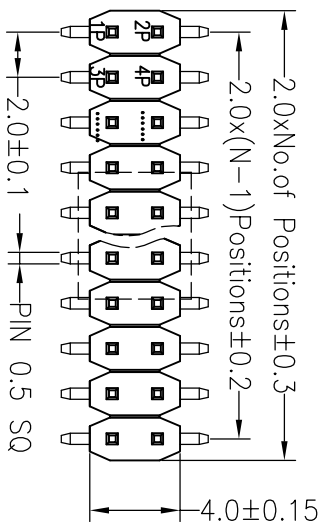


**SPECIFICATIONS**

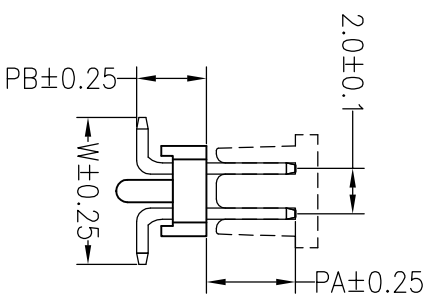
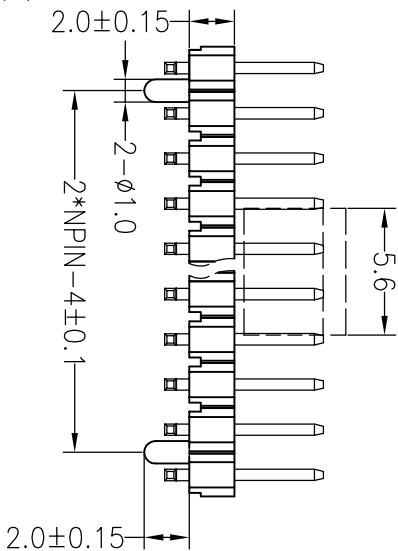
Rated Current: 1.5AMP  
 Contact Resistance: 20mΩ Max  
 Withstand Voltage: 500V AC/DC  
 Insulation Resistance: 1000MΩ Min  
 Operation Temperature: -40°C to +105°C  
 Contact Material: Brass  
 Contact Plating: Au or Sn Over Ni  
 Insulator Material: Polyester (UL94V-0)  
 Standard: PA6T  
 Max. Processing Temp: 230°C for 30-60 seconds  
 (260°C for 5 seconds)



**Ordering Information**

1320 12 XX X X XX M XXX X 0X

No. of Pins Per Row 1x40  
 Insulator Material Option  
 A=BK-PBT  
 B=BK-PA66  
 C=BK-PA6T  
 D=BK-PA46  
 F=BK-LCP  
 Contact Plating  
 G0:Gold Flash  
 G1:1U" Gold  
 G2:1.5U" Gold  
 G3:2U" Gold  
 G4:3U" Gold  
 G5:5U" Gold  
 G6:10U" Gold  
 G7:15U" Gold  
 S0:Gold Flash/Tin  
 SN:Tin  
 Pin Length  
 Packing  
 A=Troy  
 T=Tube  
 O=Pe  
 R=Tape&Reel  
 P=Tube&Reel



Dimension antitheses list				
ITEM	PA	PB	W	L
Standard	3.80	3.20	6.40	8.70

REV	DATE	MODIFICATION DESCRIPTION	CHANGE	OPERATION	DRAW	SCALE	FIT	TITLE:
A0	2019.10.28	NEW DRAWING		X.X X.XX X:XXX Angle	chengyigong 19.10.28	mm A4	1/1	PART NO. 1320-12XXXXXXMXXX02
1				DIM	APPROVE	PROJ.		2.0PH 2xNpin H2.0MM SMT夹持盖

BESTCONN(WUHAN) TECHNOLOGY CO.,LTD  
<https://bsconnector.com/>