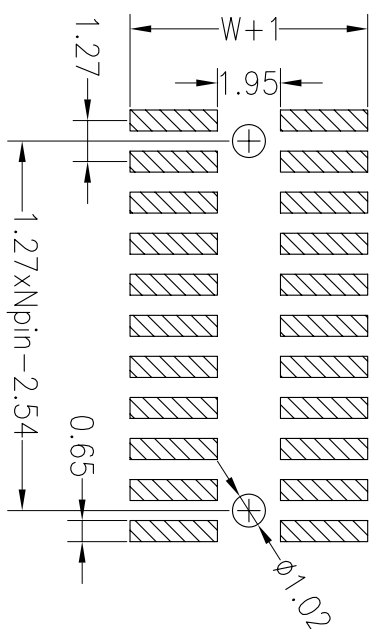
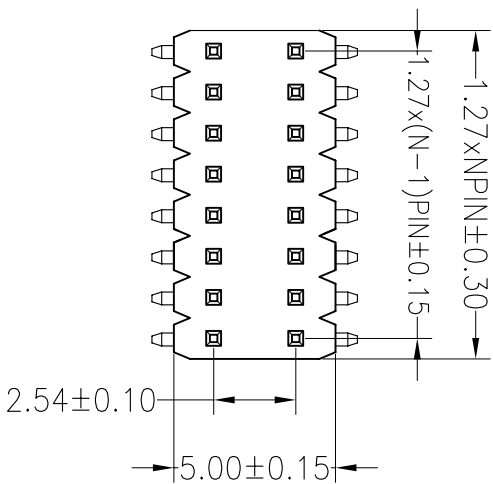


SPECIFICATIONS

Rated Current:1.0AMP
 Contact Resistance:20mΩ Max
 Withstand Voltage:500V AC/DC
 Insulation Resistance:1000MΩ Min
 Operation Temperature:-40°c to +105°c

Contact Material:Brass
 Contact Plating:Au or Sn Over Ni
 Insulator Material:Polyester(UL94V-0)
 Standard: PA6T
 Max.Processing Temp: 230°C for 30-60 seconds
 (260°C for 10 seconds)

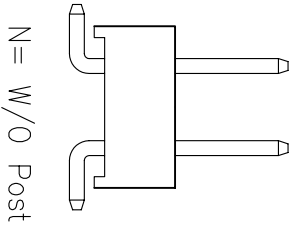
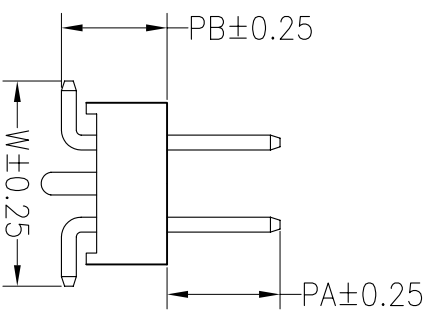
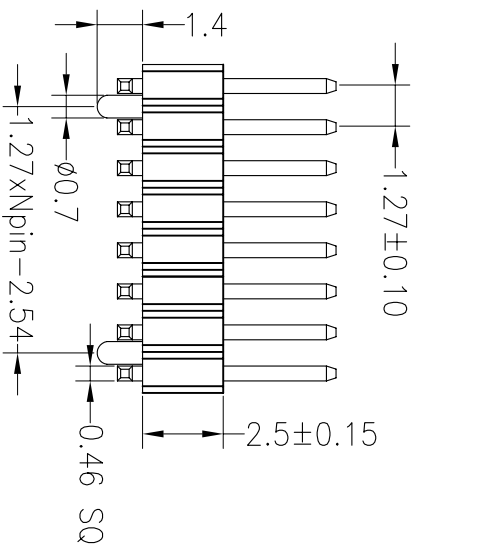
Recommended P.C.B Layout(Top Side)
 (PCB BOARD TOLERANCE±0.05)



Ordering Information

15251 2 XX X X XX M XXX X 01

No. of Pins Per Row: 2*1~2*50
 Insulator Material Option:
 A=BK-PBT, B=BK-PA6T, C=BK-PA6T, D=BK-PA46, E=BK-PA9T, F=BK-LCP
 Post: W=With Post, N=W/O Post
 Contact Plating:
 G0:Gold Flash, G1:3U" Gold, G2:5U" Gold, G3:10U" Gold, G4:15U" Gold, G5:30U" Gold
 SN:Tin
 Pin Length: SQ
 Packing:
 0=PE Bog, A=Troy, T=Tube, P=Tube+Cap, R=Reel+Cap, SN:Tin



Dimension antitheses list

| ITEM | PA | PB | W | L |
|-----------|------|------|------|------|
| Standard | 6.00 | 3.00 | 7.50 | 11.0 |
| Alternate | | | | |

| REV | DATE | MODIFICATION DESCRIPTION | CHANGE | OPERATION | DRAW | Ben | 14.05.06 | SCALE | FIT | PART NO. | TITLE: |
|-----|------------|--------------------------|--------|----------------|---------|-----|----------|------------|-----|----------------------|--------------------------------|
| A0 | 2014.05.06 | NEW DRAWING | | X.X ±0.30 | CHECK | | | UNIT mm | A4 | 152512XXXXXXMXXXXX01 | 1.27*2.54PH H2.50mm 2xNpin SMT |
| 1 | | | | X.XX ±0.20 | | | | SIZE A4 | 1/1 | | |
| | | | | X.XXX ±0.10 | APPROVE | | | SHEET | | | |
| | | | | Angle ±3° | | | | PROJ. | | | |
| | | | | DIM TOL | | | | | | | |

BESTCONN(WUHAN) TECHNOLOGY CO.,LTD
<https://bsconnector.com/>