

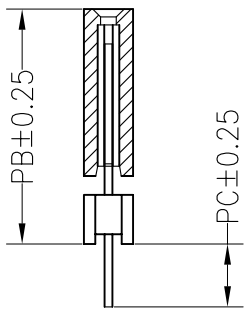
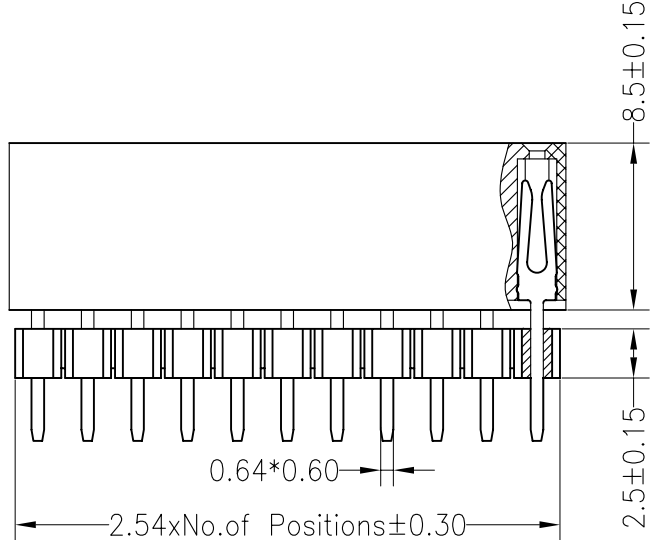
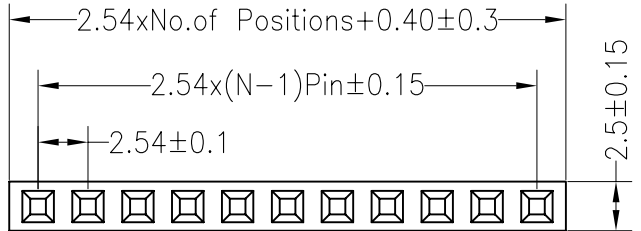
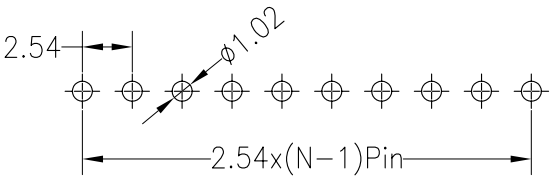


**SPECIFICATIONS**

Rated Current:3.0AMP  
 Contact Resistance:20mΩ Max  
 Withstand Voltage:1000V AC/DC  
 Insulation Resistance:1000MΩ Min  
 Operation Temperature:-40°C to +105°C

Contact Material:Brass  
 Contact Plating:Au Over Ni  
 Insulator Material:Polyester(UL94V-0)  
 Standard: PA6T  
 Max.Processing Temp: 230°C for 30-60 seconds  
 (260°C for 10 seconds)

Recommended P.C.B Layout(Top Side)  
 (PCB BOARD TOLERANCE±0.05)



Dimension antitheses list		
ITEM	PB	PC
Standard	11.0	3.20
Alternate		

**Ordering Information**

2285D101 XX X N XX S Y X 01

No.of Pins Per Row 1\*40  
 Insulator Material Option  
 A=BK-PBT  
 B=BK-PA66  
 C=BK-PA6T  
 D=BK-PA46  
 F=BK-LCP

Contact Plating  
 G0:Gold Flash  
 G2:5U" Gold  
 G3:10U" Gold  
 G4:15U" Gold  
 G5:30U" Gold  
 S0:Gold Flash/Tin  
 SN:Tin

Packing  
 0=PE Bag  
 A=Tray  
 T=Tube

				OPERATION		DRAW	BEN	12.04.18	SCALE	FIT	BESTCONN(WUHAN) TECHNOLOGY CO.,LTD <a href="https://bsconnector.com/">https://bsconnector.com/</a>	
				X.X	±0.30	CHECK			UNIT	mm	PART NO. 2285D101XXXNXXSYX01	
				X.XX	±0.20				SIZE	A4	TITLE: 2.54x8.5PF+H2.5 Pin Header 1xNpin 180° DIP	
				X.XXX	±0.10				SHEET	1/1		
A0	2012.04.18	NEW DRAWING		Angle	±3°	APPROVE			PROJ.			
REV	DATE	MODIFICATION DESCRIPTION		DIM	TOL							