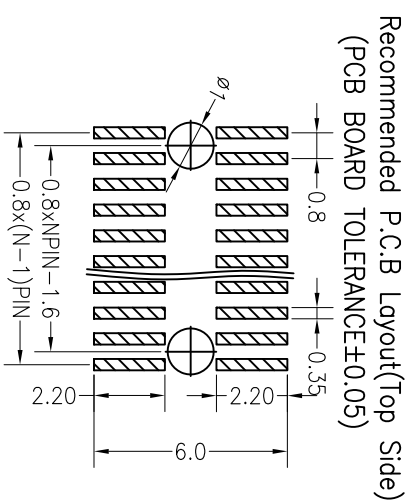
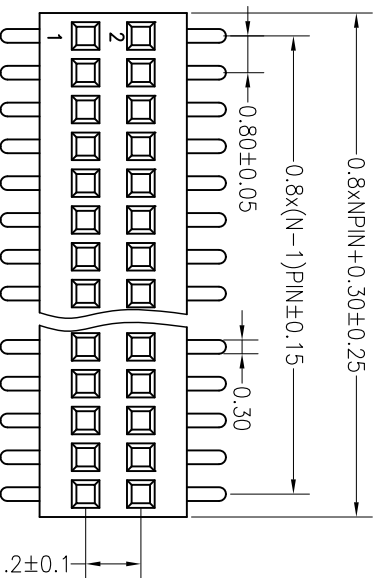




FILE NO.:E392910

**SPECIFICATIONS**

Rated Current:0.75AMP  
 Contact Resistance:30mΩ Max  
 Withstand Voltage:500V AC/DC  
 Insulation Resistance:1000MΩ Min  
 Operation Temperature:-40°c to +105°c

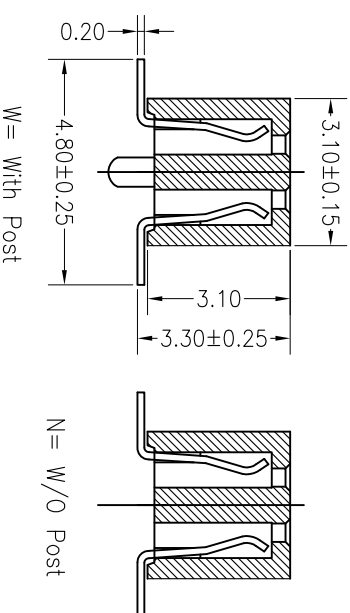
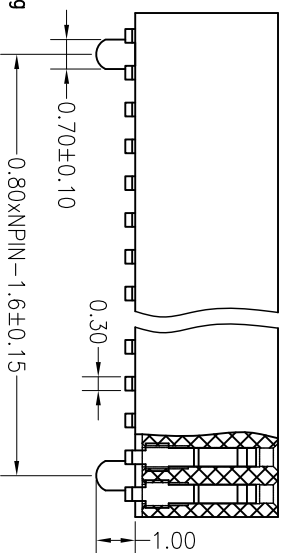


Contact Material:Phosphor Bronze  
 Contact Plating:Au or Sn Over Ni  
 Insulator Material:Polyester(UL94V-0)  
 Standard: PA6T  
 Max.Processing Temp: 230°C for 30-60 seconds  
 (260°C for 10 seconds)

**Ordering Information**

2731 02 XX X XX M U X 01

No. of Pins Per Row: 2\*50  
 Insulator Material Option:  
 A=BK-PBT  
 B=BK-PA66  
 C=BK-PA6T  
 D=BK-PA46  
 E=BK-PA9T  
 F=BK-LCP  
 Post: W=With Post, N=W/O Post  
 Contact Plating:  
 G1:1U" Gold  
 G2:1.5U" Gold  
 G3:2U" Gold  
 G4:3U" Gold  
 G5:5U" Gold  
 SN:Tin  
 Packing:  
 0=PE Bag  
 A=Troy  
 T=Tube  
 P=Tube+Cap  
 R=Reel+Cap  
 M=Reel+Mylar



BESTCONN(WUHAN) TECHNOLOGY CO.,LTD  
<https://bscconnector.com/>

OPERATION		DRAW		SCALE	FIT	PART NO.	
X.X	±0.30	YYuSheng	12.03.28	UNIT	mm	273102XXXXXXMU01	
X.XX	±0.20	CHECK		SIZE	A4	0.8PF 2xNPin H3.10 SMT	
X.XXX	±0.10			SHEET	1/1		
Angle	±3°	APPROVE		PROJ.			
DIM	TOL						

REV	DATE	MODIFICATION DESCRIPTION	CHANGE
A0	2012.03.28	NEW DRAWING	
1			