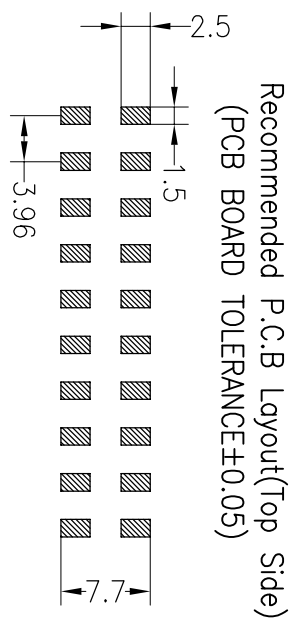
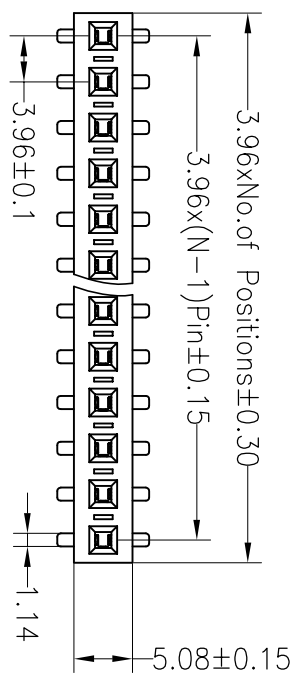


HSE ROHS

SPECIFICATIONS

Rated Current: 7.0AMP
 Contact Resistance: 20mΩ Max
 Withstand Voltage: 1000V AC/DC
 Insulation Resistance: 1000MΩ Min
 Operation Temperature: -40°C to +105°C

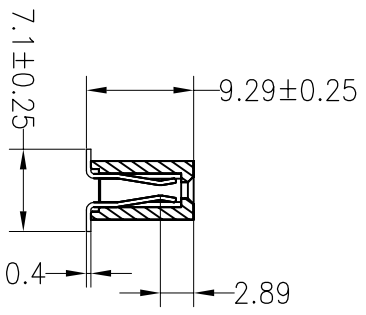
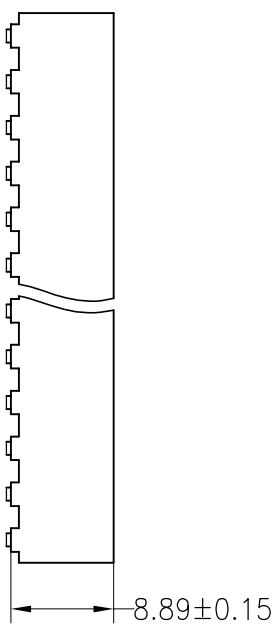
Contact Material: Brass
 Contact Plating: Sn Over Ni
 Insulator Material: Polyester (UL94V-0)
 Standard: LCP
 Max. Processing Temp: 230°C for 30-60 seconds
 (260°C for 10 seconds)



Ordering Information

2989 01 XX F N XX M UX 01

- No. of Pins Per Row: 1*2~1*20
- Insulator Material Option: A=BK-PBT, B=BK-PA66, C=BK-PA6T, D=BK-PA46, E=BK-PA9T, F=BK-LCP
- Contact Plating: G=Gold Flash, S=Gold Flash/Tin, SN: Tin, SM: Matte-Tin
- Packing: O=PE Bag, A=Tray, I=Tube, R=Reel



OPERATION		DRAW		SCALE		FIT		BESTCONN(WUHAN) TECHNOLOGY CO.,LTD	
DIM	TOL	APPROVE	YUSheng	12.09.21	UNIT	mm	1/1	https://bscconnector.com/	
X.X	±0.30	CHECK			SIZE	A4		PART NO.	298901XXFNXXMUX01
X.XX	±0.20				SHEET	1/1		TITLE:	3.96PF H8.89mm 1xNpin SMT
X.XXX	±0.10				PROJ.				
Angle	±3°								

REV	DATE	MODIFICATION DESCRIPTION	CHANGE
A0	2012.09.21	NEW DRAWING	
1			