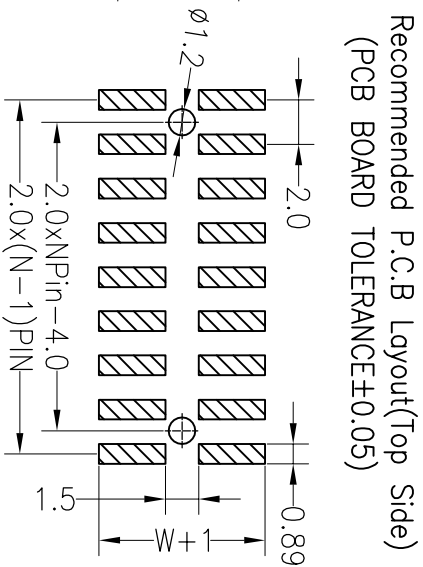
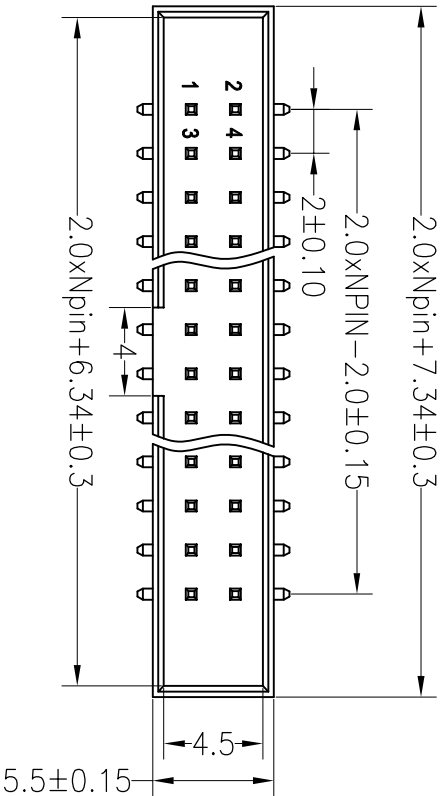




SPECIFICATIONS

Rated Current: 1.5AMP
 Contact Resistance: 20mΩ Max
 Withstand Voltage: 500V AC/DC
 Insulation Resistance: 1000MΩ Min
 Operation Temperature: -40°C to +105°C

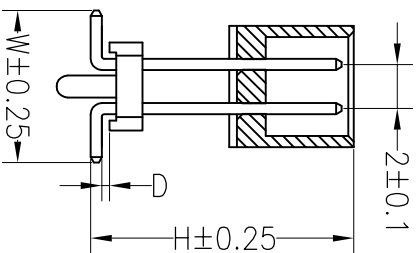
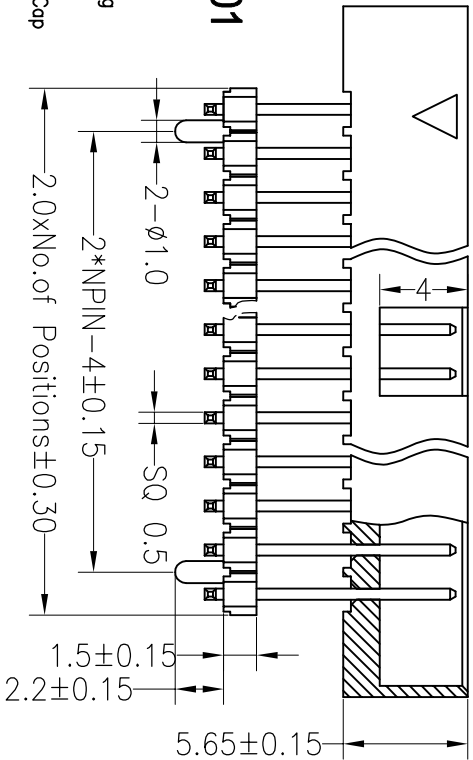
Contact Material: Brass
 Contact Plating: Au or Sn Over Ni
 Insulator Material: Polyester(Ul94V-0)
 Standard: PA6T
 Max. Processing Temp: 230°C for 30-60 seconds
 (260°C for 10 seconds)



Ordering Information

3220- XX M XX X B D01 X 01

No. of Pins Per Row: 6--64
 Contact Plating Option: G0:Gold Flash, G1:1U" Gold, G2:1.5U" Gold, G3:2U" Gold, G4:3U" Gold, G5:5U" Gold, S0:Gold Flash/Tin
 Insulator Material Option: A=BK-PBT, C=BK-PA6T, D=BK-PA46, E=BK-PA9T, F=BK-LCP
 Packing: 0=PE Bag, A=Tray, T=Tube, P=Tube+Cap
 SN: Tin



Dimension antitheses list				
ITEM	D	W	H	L
Alternate	0.10	6.00	13.90	15.00

BESTCONN(WUHAN) TECHNOLOGY CO.,LTD
<https://bscconnector.com/>

PART NO. 3220XXMXXBD01X01

TITLE: 2.0Box Header Npin H5.65+H1.50 SMT

OPERATION		DRAW		SCALE		FIT		PART NO.	
X.X	±0.30	yyusheng	20.07.14	UNIT	mm	A4	1/1	3220XXMXXBD01X01	
X.XX	±0.20	CHECK		SIZE					
X.XXX	±0.10			SHEET					
Angle	±3°	APPROVE		PROJ.					
DIM	TOL								

REV	DATE	MODIFICATION DESCRIPTION	CHANGE
A0	2020.07.14	NEW DRAWING	
1			