



SPECIFICATIONS

Rated Current: 0.75AMP
 Contact Resistance: 20mΩ Max
 Withstand Voltage: 500V AC/DC
 Insulation Resistance: 1000MΩ Min
 Operation Temperature: -40°C to +105°C

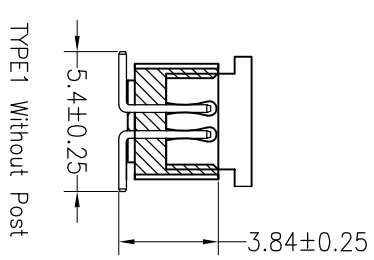
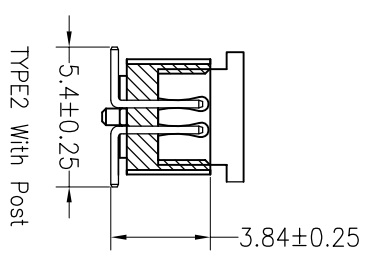
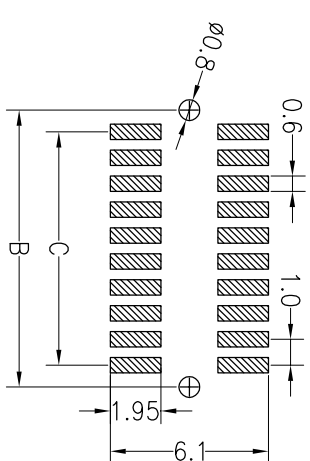
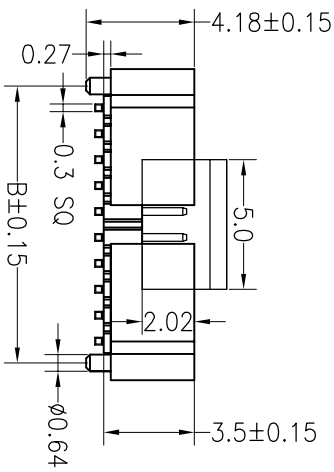
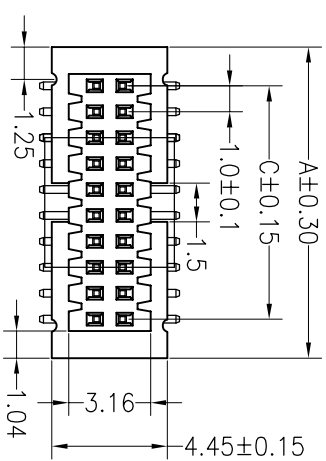
Contact Material: Brass
 Contact Plating: Au or Sn Over Ni
 Insulator Material: Polyester (UL94V-0)
 Standard: LCP
 Max. Processing Temp: 230°C for 30-60 seconds
 (260°C for 10 seconds)

NO OF CONTACT	DIMENSIONS		DIMENSIONS		DIMENSIONS	
	A	B	C	D	E	F
10P	7.00	5.68	4.00			
16P	10.00	8.68	7.00			
20P	12.00	10.68	9.00			
40P	22.00	20.68	19.0			
64P	34.00	32.68	31.0			

Ordering Information

3251 XX M XX X B K00 X 0X(1,2)

No. of Pins: 10, 16, 20, 40, 64P
 Contact Plating: G0: Gold Flash, G1: 30μ Gold, G2: 50μ Gold, G3: 100μ Gold, G4: 150μ Gold, G5: 300μ Gold, S0: Gold Flash/Tin, SN: Tin
 Insulator Material Option: A=BK-PBT, C=BK-PA6T, D=BK-PA46, E=BK-PA9T, F=BK-LCP
 Packing: A=Troy, T=Tube, P=Tube+Cap, R=Reel+Cap



REV	DATE	MODIFICATION DESCRIPTION	CHANGE	OPERATION		DRAW	Yiyusheng	18.08.20	SCALE	FIT	PART NO.	TITLE:
				DIM	TOL							
A0	2018.08.20	NEW DRAWING		X.XX	±0.30	CHECK			A4	1/1	3251XXMXXBK00X01(2)	1.0mm Box Header Npin H3.5 SMT L=5.4mm with cap
1						APPROVE						

BESTCONN(WUHAN) TECHNOLOGY CO.,LTD
<https://bsconnector.com/>