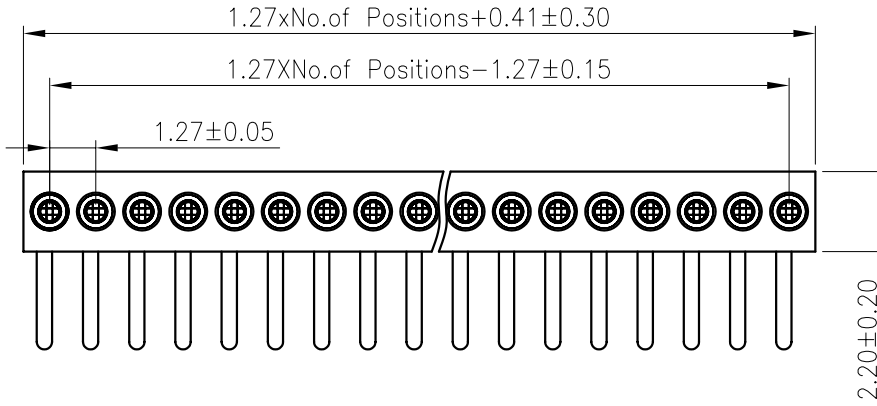


Technical Specs:

Flammability: PPS (UL 94V-O)
 Sleeve: Brass
 Contact clip(6 finger): C17200
 Accepted pin: Ø0.31 to 0.48mm
 Forces: (polished steel gauge Ø0.381mm)
 --Insertion 0.6N typ
 --Withdrawal 0.15N typ
 Mechanical life: min500 cycles
 Rated current: 1A
 Contact resistance: max 20mΩ
 Dielectric resistance: Min 500V RMS



Ordering Information

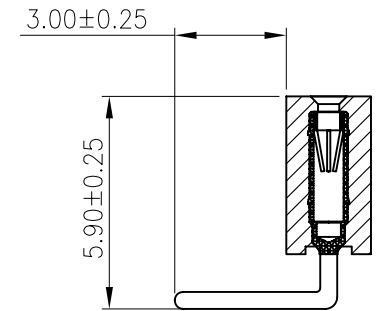
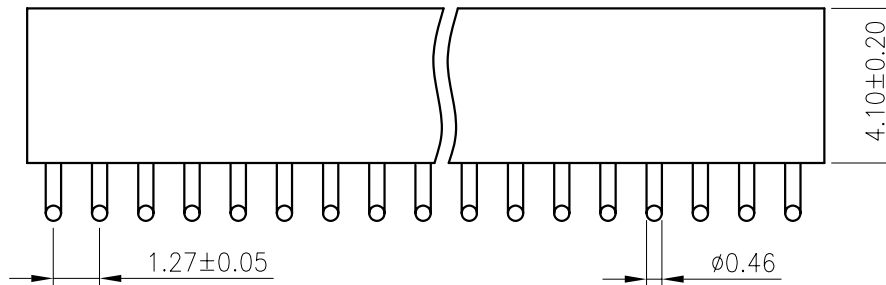
3624 41 1 XX R XX 089 02

Insulator Type Code
 1: Single row
 2: Double row

No. of Pins
 1x40Pins
 2x40Pins

Contact Plating
 SN: Tin
 G0: Gold Flash
 G2: 2U"Gold
 G3: 3U"Gold
 G4: 5U"Gold
 G5: 10U"Gold
 S0: Gold Flash/Tin
 Standard: G0

Pin Length
 089=8.9mm



				OPERATION		DRAW	BEN	14.04.01	SCALE	FIT	BESTCONN(WUHAN) TECHNOLOGY CO.,LTD https://bscconnector.com/	
				X.X	±0.30				UNIT	mm		
				X.XX	±0.20	CHECK		SIZE	A4	PART NO.		
A0	2014.04.01	NEW DRAWING		X.XXX	±0.10	APPROVE			SHEET	1/1	TITLE:	1.27x4.1 Machine Female Header 90°/L=8.9
REV	DATE	MODIFICATION DESCRIPTION		DIM	TOL				PROJ.	