



Technical Specs:

Insulator: Black glass filled polyester/PBT-GF30-FR
 Flammability: UL 94V-0
 Sleeve: Brass
 Contact clip(4/6 finger): Beryllium copper(C17200)
 Accepted pin: Ø0.38 to 0.64mm
 Forces: (polished steel gauge Ø0.43mm)
 --Insertion 2 N typ
 --Withdrawal 1 N typ
 Mechanical life: min500 cycles
 Rated current: 3A
 Contact resistance: max 10mΩ
 Dielectric resistance: Min 1000V RMS
 Coplanarity SMD max 0.1 mm(measured on terminations: 25 mm long connectors)
 Max. Processing Temp.:180°C for30-60 seconds (200°C for 10 seconds)

Ordering Information

7210- 30 X XX S XX 145 X 1

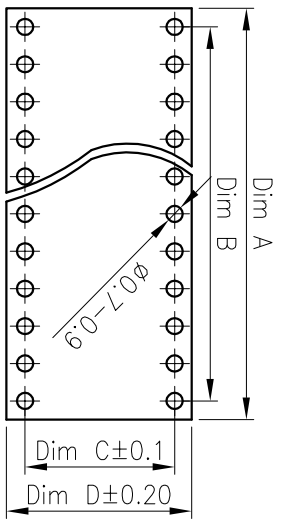
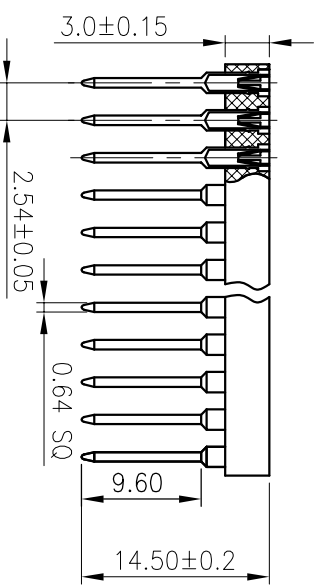
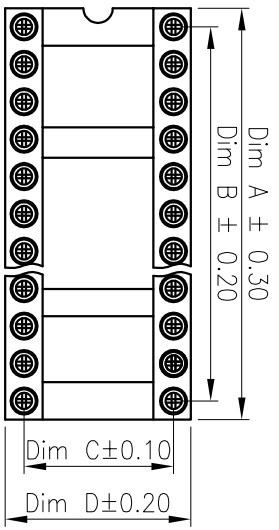
N=7.62PH
 E=10.16PH
 W=15.24PH
 Y=22.86PH

No. of Pins 6~64Pins

Connector Type
 G0=Gold Flash
 S0=Gold Flash/Tin
 S3=10u" Gold/Tin
 S4=15u" Gold/Tin
 S5=30u" Gold/Tin

Pin Length 145=14.5mm

Packing 0=Pe Bog
 T=Tube



P.C.B LAYOUT

Contact	Dim A	Dim B	Dim C	Dim D
4	5.08	2.54	7.62	10.16
6	7.62	5.08	7.62	10.16
8	10.16	7.62	7.62	10.16
10	12.70	10.16	7.62	10.16
12	15.24	12.70	7.62	10.16
14	17.78	15.24	7.62	10.16
16	20.32	17.78	7.62	10.16
18	22.86	20.32	7.62	10.16
20	25.40	22.86	7.62	10.16
24	30.48	27.94	7.62	10.16
28	35.56	33.02	7.62	10.16
16	20.32	17.78	10.16	12.70
20	25.40	22.86	10.16	12.70
22	27.94	25.40	10.16	12.70
24	30.48	27.94	10.16	12.70
28	35.56	33.02	10.16	12.70
24	30.48	27.94	15.24	17.78
28	35.56	33.02	15.24	17.78
32	40.64	38.10	15.24	17.78
36	45.72	43.18	15.24	17.78
40	50.80	48.26	15.24	17.78

BESTCONN(WUHAN) TECHNOLOGY CO.,LTD
<https://bsconnector.com/>

REV	DATE	MODIFICATION DESCRIPTION	CHANGE	OPERATION	DRAW	SCALE	FIT	PART NO.
A0	2019.07.09	NEW DRAWING		X.XX X.XX X:XXX Angle	±0.30 ±0.20 ±0.10	mm	A4	721030XXXXSX145X1
1			CHANGE	DIM	TOL	APPROVE	SHEET 1/1	TITLE: 2.54圆孔C座=14.5针尖为方针