



SPECIFICATIONS

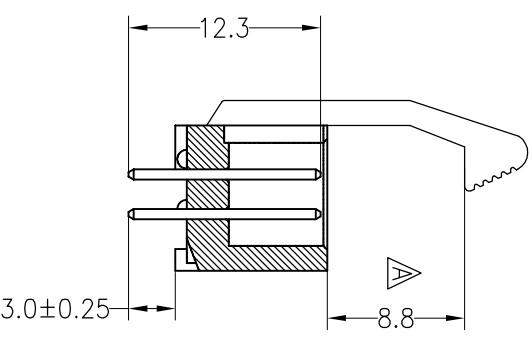
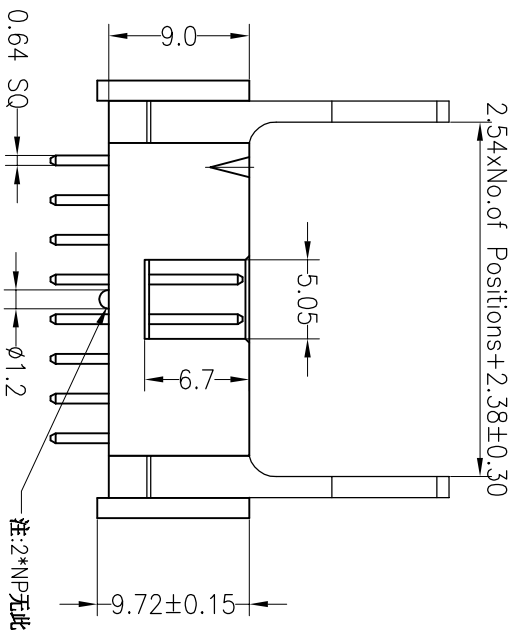
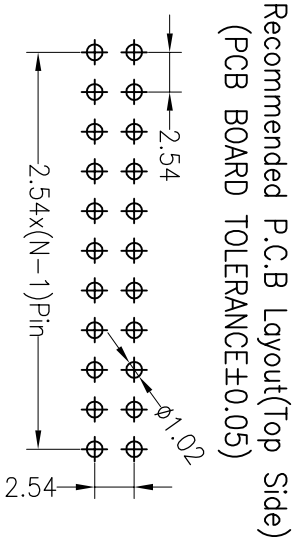
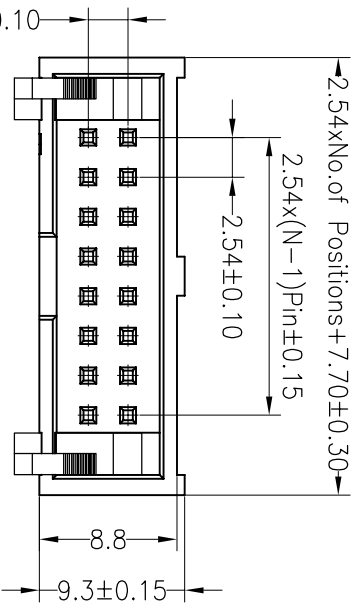
Rated Current: 3.0AMP
 Contact Resistance: 20mΩ Max
 Withstand Voltage: 1000V AC/DC
 Insulation Resistance: 1000MΩ Min
 Operation Temperature: -40°C to +105°C

Contact Material: Brass
 Contact Plating: Au or Sn Over Ni
 Insulator Material: Polyester (UL94V-0)
 Standard: PBT
 Max. Processing Temp: 180°C for 30-60 seconds
 (200°C for 10 seconds)

Ordering Information

3214-XX S XX X B K0 L X 01

- No. of Pins: 6---64P
- Contact Plating Option: G0:Gold Flash, G1:1U" Gold, G2:1.5U" Gold, G3:2U" Gold, G4:3U" Gold, G5:5U" Gold, S0:Gold Flash/Tin, SN:Tin
- Insulator Material Option: A=BK-PBT, B=BK-PA66, C=BK-PA6T, D=BK-PA46, E=BK-PA9T, F=BK-LCP
- Packing Option: 0=PE Bag, A=Troy, T=Tube, P=Tube+Cap



REV		DATE	MODIFICATION DESCRIPTION	CHANGE	OPERATION		DRAW	Y.YuSheng	18.10.12	SCALE	FIT	BESTCONN(WUHAN) TECHNOLOGY CO.,LTD	
A1		2018.10.12	"A" 尺寸原8.18变更为8.8		X.X	±0.30	CHECK			UNIT	mm	https://bscconnector.com/	
A0		2014.05.26	NEW DRAWING		X.XXX	±0.10	CHECK			SIZE	A4	PART NO.	3214-XXSXXBK0LX01
1					Angle	±3°	APPROVE			SHEET	1/1	TITLE:	2.54mm 带金属钩筒牛 180°