

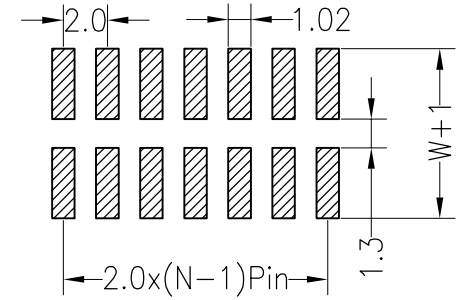
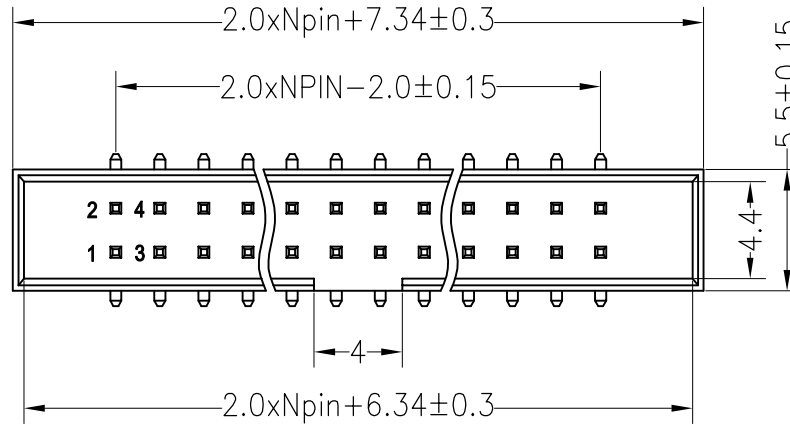


**SPECIFICATIONS**

Rated Current:1.5AMP  
 Contact Resistance:20mΩ Max  
 Withstand Voltage:400V AC/DC  
 Insulation Resistance:800MΩ Min  
 Operation Temperature:-40°C to +105°C

Contact Material:Brass  
 Contact Plating:Au or Sn Over Ni  
 Insulator Material:Polyester(UL94V-0)  
 Standard: PA6T  
 Max.Processing Temp: 230°C for 30-60 seconds  
 (260°C for 10 seconds)

Recommended P.C.B Layout(Top Side)  
 (PCB BOARD TOLERANCE±0.05)



**Ordering Information**

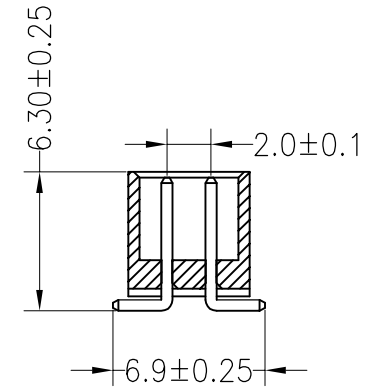
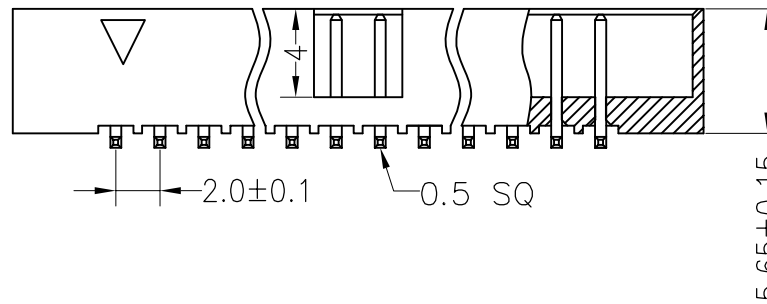
3220 XX M XX X B K00 X 01

No.of Pins  
6--64

Contact Plating  
 G0:Gold Flash  
 G1:1U" Gold  
 G2:1.5U" Gold  
 G3:2U" Gold  
 G4:3U" Gold  
 G5:5U" Gold  
 G6:10U" Gold  
 G7:15U" Gold  
 S0:Gold Flash/Tin  
 SN:Tin

Insulator Material  
 Option  
 A=BK-PBT  
 C=BK-PA6T  
 D=BK-PA46  
 E=BK-PA9T  
 F=BK-LCP

Packing  
 O=PE Bag  
 A=Tray  
 T=Tube  
 R=Reel+Cap  
 P=Tube+Cap



OPERATION		DRAW	YiYuSheng	19.09.17	SCALE	FIT
X.X	±0.30					
X.XX	±0.20	CHECK			UNIT	mm
X.XXX	±0.10					
Angle	±3°	APPROVE			SHEET	1/1
DIM	TOL					

BESTCONN(WUHAN) TECHNOLOGY CO.,LTD		https://bscconnector.com/	
PART NO.	3220XXMXXXBK00X01		
TITLE:	2.0Box Header Npin H5.65 SMT		

AO	2019.09.17	NEW DRAWING	
REV	DATE	MODIFICATION DESCRIPTION	CHANGE