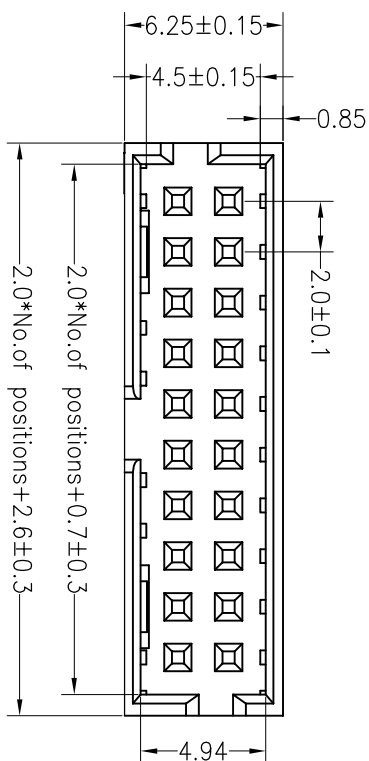


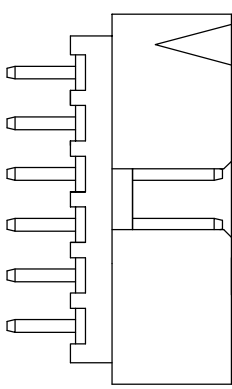
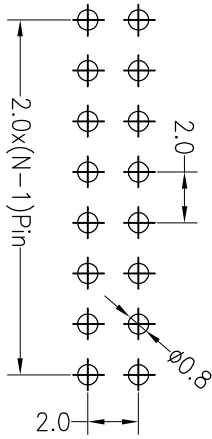
SPECIFICATIONS

Rated Current:1.5AMP
 Contact Resistance:20mΩ Max
 Withstand Voltage:400V AC/DC
 Insulation Resistance:800MΩ Min
 Operation Temperature:-40°c to +105°c

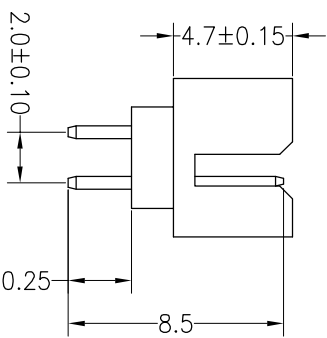
Contact Material:Brass
 Contact Plating:Au or Sn Over Ni
 Insulator Material:Polyester(Ul94V-0)
 Standard: PA6T
 Max.Processing Temp: 230°C for 30-60 seconds
 (260°C for 10 seconds)



Recommended P.C.B Layout(Top Side)
 (PCB BOARD TOLERANCE±0.05)



TYPE FOR 6~12Pin



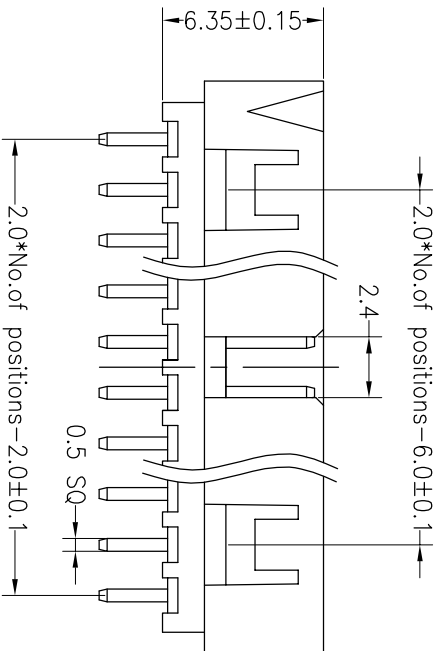
Ordering Information

3221 XX S XX X BK00 X 01

No. of Pins 6--64
 Contact Plating
 60:Gold Flash
 G1:3U" Gold
 G2:5U" Gold
 G3:10U" Gold
 G4:15U" Gold
 G5:30U" Gold
 S0:Gold Flash/Tin
 SN:Tin

Insulator Material Option
 A=BK-PBT
 B=BK-PA66
 C=BK-PA6T
 D=BK-PA46
 E=BK-PA9T
 F=BK-LCP

Packing Option
 0=PE Bag
 A=Tray
 T=Tube
 P=Tube+Cap
 R=Reel+Cap



		OPERATION		DRAW		SCALE	FIT	BESTCONN(WUHAN) TECHNOLOGY CO.,LTD	
		X.X	±0.30	YUSheng		UNIT	mm	https://bsconnector.com/	
		X.XX	±0.20	18.08.28		SIZE	A4	PART NO. 3221XXSXXXBK00X01	
		X:XXX	±0.10			SHEET	1/1	TITLE: 2.0Box Header Npin H6.35 180°	
REV		DATE	MODIFICATION DESCRIPTION	CHANGE	DIM	TOL	APPROVE	PROU.	
A0	2018.08.28	NEW DRAWING							
1		2		3		4		5	6