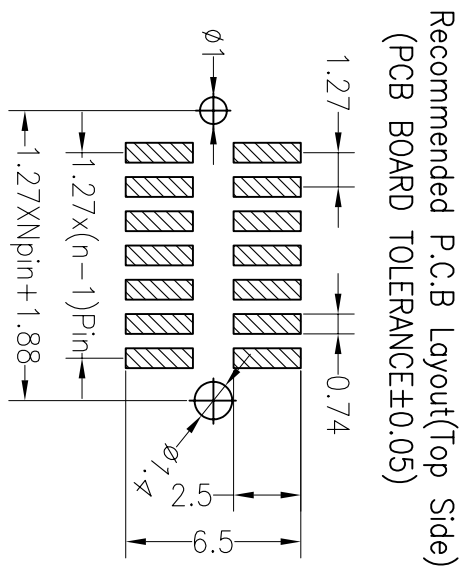
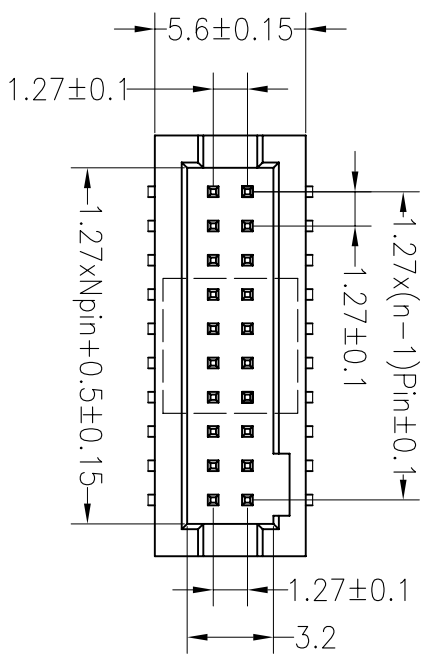


SPECIFICATIONS

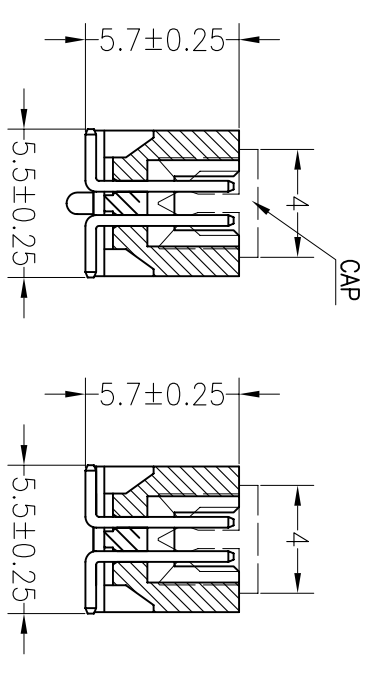
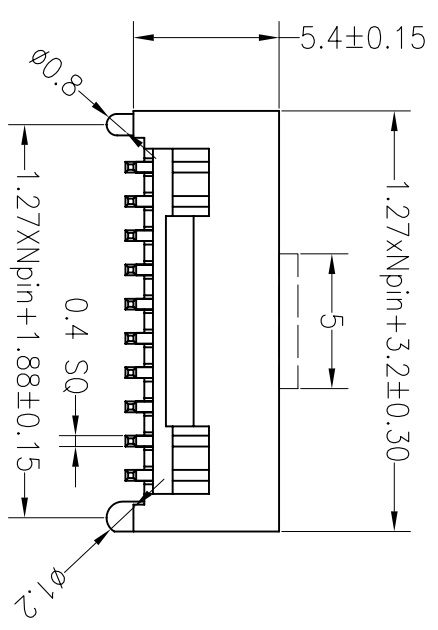
Rated Current:1.0AMP
 Contact Resistance:20mΩ Max
 Withstand Voltage:500V AC/DC
 Insulation Resistance:1000MΩ Min
 Operation Temperature:-40°c to +105°c
 Contact Material:Brass
 Contact Plating:Au or Sn Over Ni
 Insulator Material:Polyester(UL94V-0)
 Standard: PA6T
 Max.Processing Temp: 230°C for 30-60 seconds
 (260°C for 10 seconds)



Ordering Information

3231 XX M XX X B K00 X 01(2)

No.of Pins 10-100P
 Contact Plating
 G0:Gold Flash
 G1:3U" Gold
 G2:5U" Gold
 G3:10U" Gold
 G4:15U" Gold
 G5:30U" Gold
 SN:Tin
 Insulator Material Option
 A=BK-PBT
 B=BK-PA66
 C=BK-PA6T
 D=BK-PA46
 E=BK-PA9T
 F=BK-LCP
 Packing
 T=Tube
 A=Tray
 P=Tube+Cap
 R=Reel+Cap



OPERATION		DRAW		BEN		SCALE		FIT		BESTCONN(WUHAN) TECHNOLOGY CO.,LTD	
X.X		±0.30		12.09.18		UNIT		mm		https://bsconnector.com/	
X.XX		±0.20				SIZE		A4		PART NO.	
X.XXX		±0.10				SHEET		1/1		3231XXMXXXBK00X01(2)	
Angle		±3°				PROJ.				TITLE:	
DIM		TOL		APPROVE						1.27Box Header Npin H5.4 SMT	
CHANGE											
MODIFICATION DESCRIPTION											
DATE											
REV											
A0		NEW DRAWING									
2012.09.18											
1		2		3		4		5		6	
7		8		9							