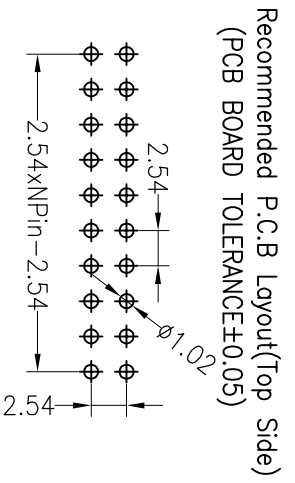
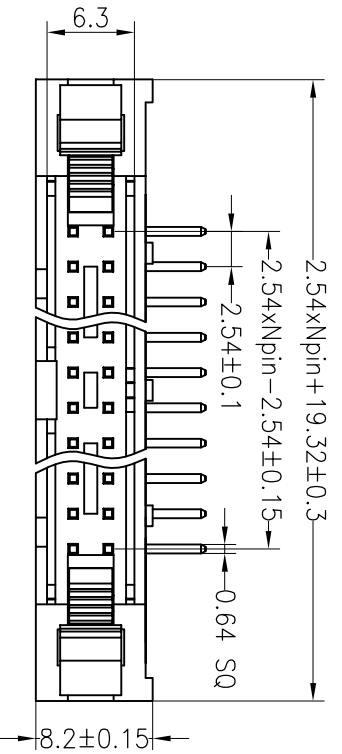




SPECIFICATIONS

Rated Current: 3.0AMP
 Contact Resistance: 20mΩ Max
 Withstand Voltage: 1000V AC/DC
 Insulation Resistance: 1000MΩ Min
 Operation Temperature: -40°C to +105°C

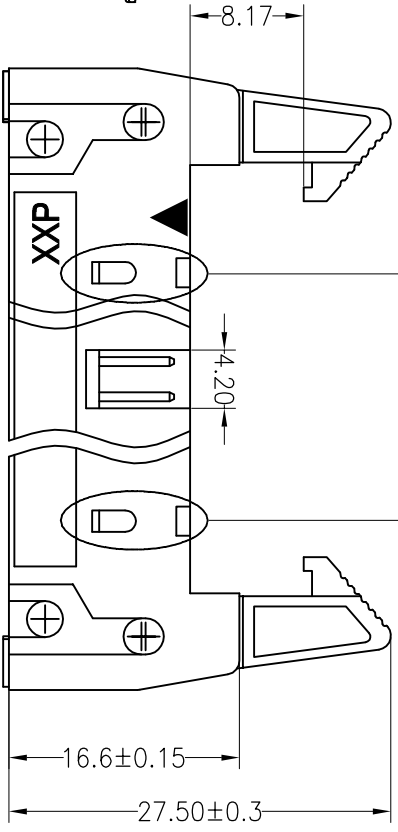
Contact Material: Brass
 Contact Plating: Au or Sn Over Ni
 Insulator Material: Polyester (UL94V-0)
 Standard: PA6T
 Max. Processing Temp: 230°C for 30-60 seconds
 (260°C for 10 seconds)



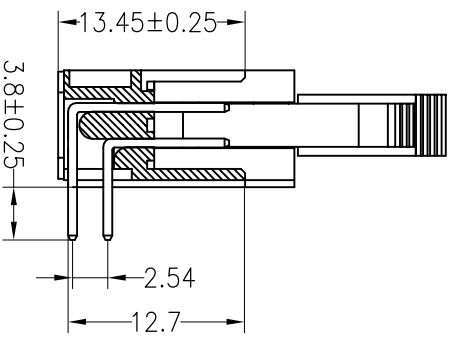
Ordering Information

3310 XX R XX X X X X 0 X

No. of Pins: 6--64
 Contact Plating: 60:Gold Flash
 Insulator Material Option: A=RK-PBT, C=RK-PA6T, D=RK-PA66, F=RK-PA9T, G=RK-LCP
 Color Type: B=Black, G=Grey
 Latch Type: L=Long Latch, S=Short Latch, N=Without Latch
 Packing: O=Fe Bag, A=Tray, T=Tube
 SN: Tin
 50:Gold Flash/Tin



below 20Pos without the central hole



BESTCONN(WUHAN) TECHNOLOGY CO.,LTD
<https://bsconnector.com/>

PART NO. 3310XXRXXXXXX0X

TITLE: 2.54 ejector header Npin 90°

OPERATION		DRAW		SCALE		FIT	
OPERATION	DIM	OPERATION	DIM	UNIT	mm	UNIT	mm
X.X	±0.30	Y.YuSheng	12.03.28	A4	1/1		
X.XX	±0.20	CHECK					
X.XXX	±0.10	APPROVE					
Angle	±3°						

REV	DATE	MODIFICATION DESCRIPTION	CHANGE
A0	2012.03.28	NEW DRAWING	