

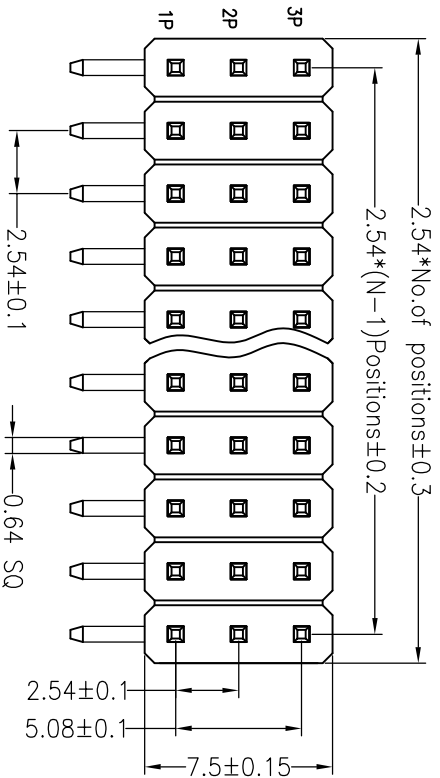


FILE NO: E392910

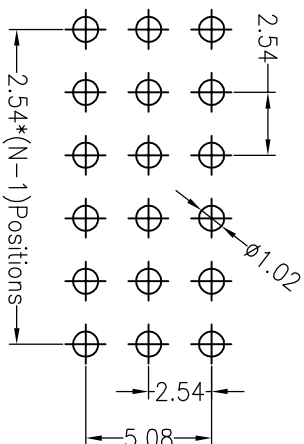
**SPECIFICATIONS**

Rated Current: 3.0AMP  
 Contact Resistance: 20mΩ Max  
 Withstand Voltage: 1000V AC/DC  
 Insulation Resistance: 1000MΩ Min  
 Operation Temperature: -40°C to +105°C

Contact Material: Brass  
 Contact Plating: Au Over Ni  
 Insulator Material: Polyester (UL94V-0)  
 Standard: PA6T  
 Max. Processing Temp: 230°C for 30-60 seconds  
 (260°C for 10 seconds)



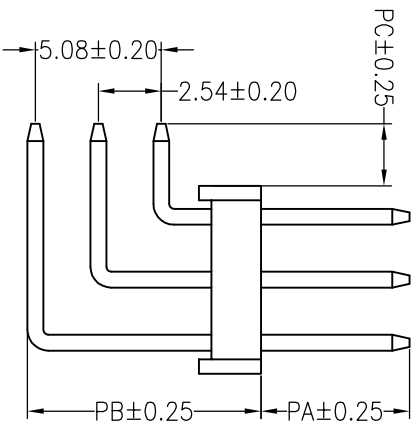
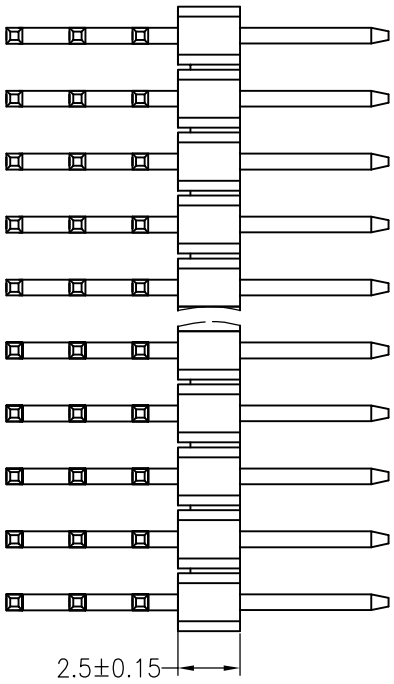
Recommended P.C.B Layout (Top Side)  
 (PCB BOARD TOLERANCE ±0.05)



**Ordering Information**

1225 13 XX X N XX R XXX X 01

No. of Pins Per Row: 1x40, 2x40, 3x40, 1--40, 2--80, 3--120  
 Insulator Material Option: A=BK-PBT, C=BK-PA6T, D=BK-PA66, E=BK-PA9T, F=BK-LCP  
 Contact Plating: G0:Gold Flash, G1:1U" Gold, G2:1.5U" Gold, G3:2U" Gold, G4:3U" Gold, S0:Gold Flash/Tin, SN:tin  
 Pin Length: O=PE Bag, A=Trioy, T=Tube, P=Tube+Cap, R=Reel+Cap, M=Reel+Mylar



Dimension antheses list

ITEM	PA	PB	PC	L1	L2	L3
Standard	6.00	9.54	3.00	13.80	18.80	23.80

BESTCONN(WUHAN) TECHNOLOGY CO.,LTD  
<https://bsconnector.com/>

REV	DATE	MODIFICATION DESCRIPTION	CHANGE	OPERATION	DRAW	YR/Sheng	19.09.20	SCALE	FIT	PART NO.	TITLE:
A0	2019.09.20	NEW DRAWING		X.XX ±0.30 X.XX ±0.20 X.XXX ±0.10	CHECK			UNIT mm SIZE A4	1/1	122513XXXXXXRXXXX01	2.54PH H2.5mm Three Row 90°
1				Angle ±3° DIM TOL	APPROVE			PROJ.			