

SPECIFICATIONS

Rated Current: 3.0AMP
 Contact Resistance: 20mΩ Max
 Withstand Voltage: 1000V AC/DC
 Insulation Resistance: 1000MΩ Min
 Operation Temperature: -40°C to +105°C

Contact Material: Brass

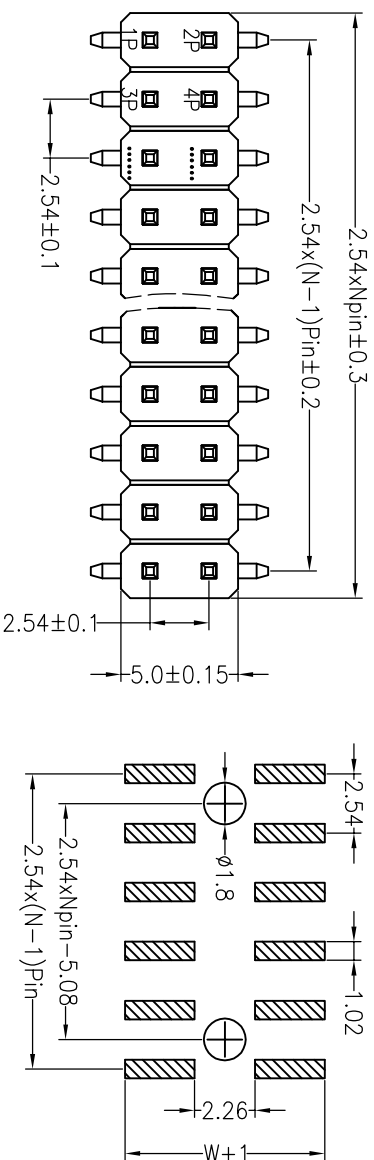
Contact Plating: Au or Sn Over Ni

Insulator Material: Polyester (UL94V-0)

Standard: PA6T

Max. Processing Temp: 230°C for 30-60 seconds
 (260°C for 5 seconds)

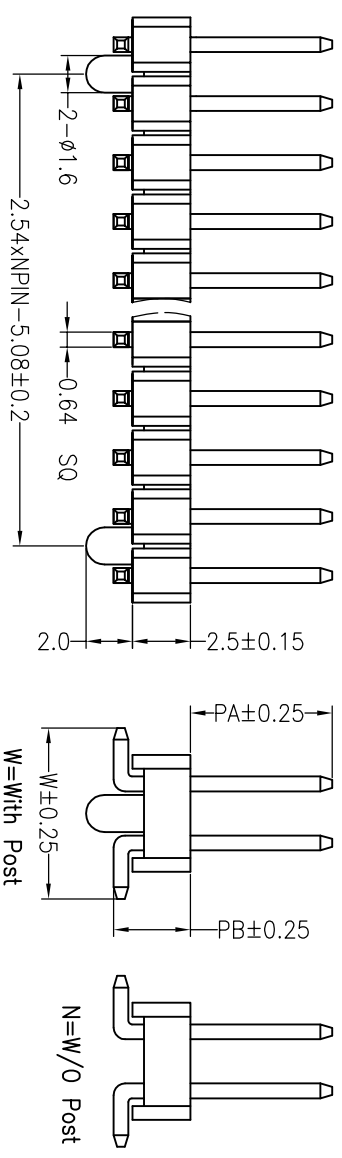
Recommended P.C.B Layout (Top Side)
 (PCB BOARD TOLERANCE ±0.05)



Ordering Information

1225 1 2 XX X X XX M XXX X 01

- No. of Pins: 2*1~2*40
- Insulator Material Option: A=BK-PBT, C=BK-PA6T, D=BK-PA6T, F=BK-LCP
- Post: W=With Post, N=W/O Post
- Contact Plating: G0:Gold Flash, G1:1U" Gold, G2:1.5U" Gold, G3:2U" Gold, G4:3U" Gold, G5:5U" Gold, G6:10U" Gold, G7:15U" Gold, S0:Gold Flash/Tn, SM:Tn
- Pin Length
- Packing: O=PE Bog, A=Troy, T=Tube, P=Tube+Cap, R=Reel+Cap, M=Reel+Mylar



Dimension antitheses list

ITEM	PA	PB	W	L
Alternate	6.00	3.20	7.50	11.00
Alternate				

OPERATION		DRAW		SCALE		FIT		TITLE:	
X.X	±0.30	YYuSheng	19.09.20	UNIT	mm	A4	1/1	BESTCONN(WUHAN) TECHNOLOGY CO.,LTD	
X.XX	±0.20			SIZE				PART NO. 122512XXXXXXMXXXXX01	
X:XXX	±0.10			SHEET				2.54PH 2xNpin H2.5mm SMT	
Angle	±3°	APPROVE		PROJ.					
DIM	TOL								
CHANGE									
MODIFICATION DESCRIPTION									
DATE									
REV									
A0	2019.09.20	NEW DRAWING							

<https://bscconnector.com/>