

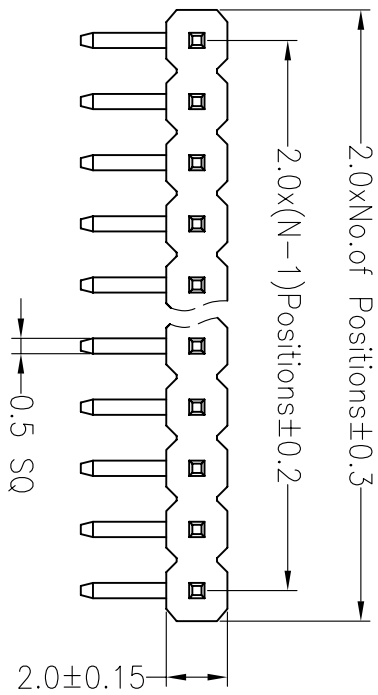


FILE NO: E362810

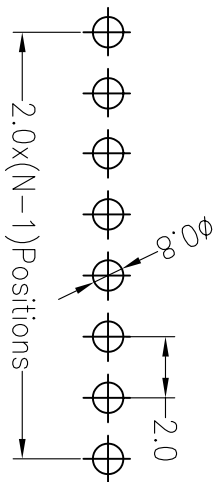
SPECIFICATIONS

Rated Current:1.5AMP
 Contact Resistance:20mΩ Max
 Withstand Voltage:500V AC/DC
 Insulation Resistance:1000MΩ Min
 Operation Temperature:-40°C to +105°C

Contact Material:Brass
 Contact Plating:Au or Sn Over Ni
 Insulator Material:Polyester(UL94V-0)
 Standard: PA6T
 Max.Processing Temp: 230°C for 30-60 seconds
 (260°C for 5 seconds)



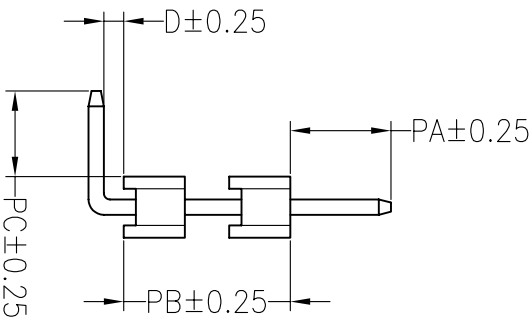
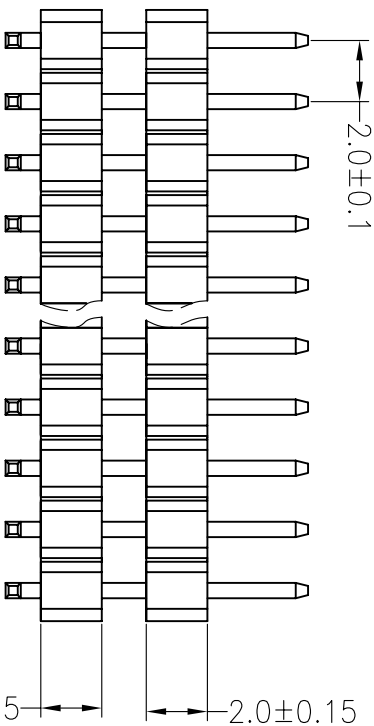
Recommended P.C.B Layout(Top Side)
 (PCB BOARD TOLERANCE±0.05)



Ordering Information

1320 21 XX X N XX R XXX X 01

No.of Pins Per Row 1x40
 Insulator Material Option
 A=BK-PBT
 B=BK-PA66
 C=BK-PA6T
 D=BK-PA46
 F=BK-LCP
 Contact Plating
 G0:Gold Flash
 G2:5U" Gold
 G3:10U" Gold
 G4:15U" Gold
 G5:30U" Gold
 S0:Gold Flash/Tin
 SN:Tin
 Pin Length
 Packing
 0=PE Bag
 A=Troy
 T=Tube



Dimension antitheses list					
ITEM	PA	PB	PC	D	L
Standard	4.00	4.00	2.80	0.10	11.90
Alternate					

BESTCONN(WUHAN) TECHNOLOGY CO.,LTD

<https://bsconnector.com/>

OPERATION		DRAW		SCALE		FIT		PART NO.	
X.X	±0.30		YTYuSheng	12.10.10	UNIT	mm	A4	132021XXXXXXRXXX01	
X.XX	±0.20	CHECK			SIZE	A4			
X.XXX	±0.10				SHEET	1/1			
Angle	±3°	APPROVE			PROJ.	1/1			
DIM	TOL								

REV	DATE	MODIFICATION DESCRIPTION	CHANGE
A0	2012.10.10	NEW DRAWING	
1			