

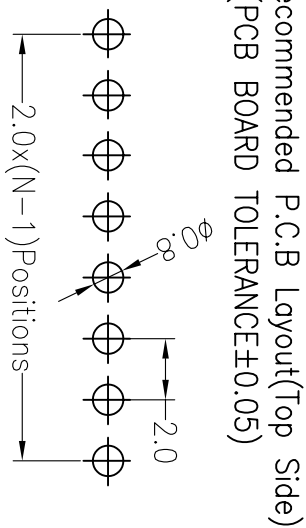
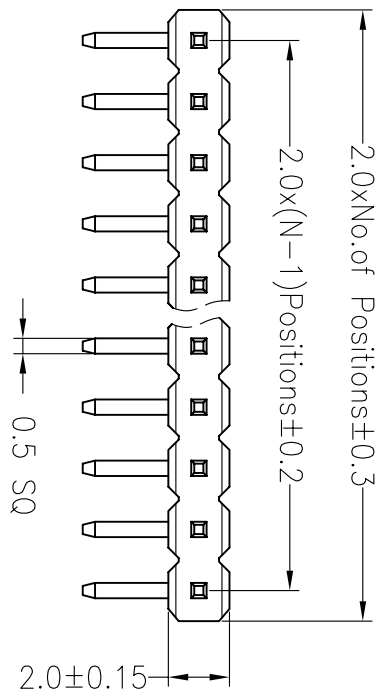


FILE NO: E362810

SPECIFICATIONS

Rated Current: 1.5AMP
 Contact Resistance: 20mΩ Max
 Withstand Voltage: 500V AC/DC
 Insulation Resistance: 1000MΩ Min
 Operation Temperature: -40°C to +105°C

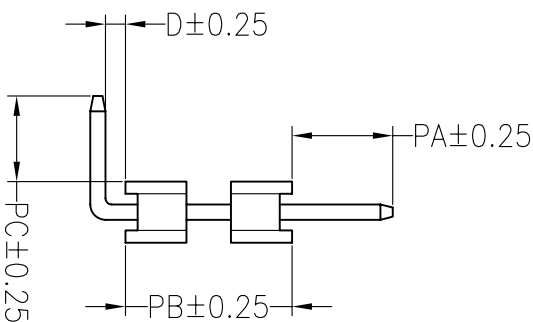
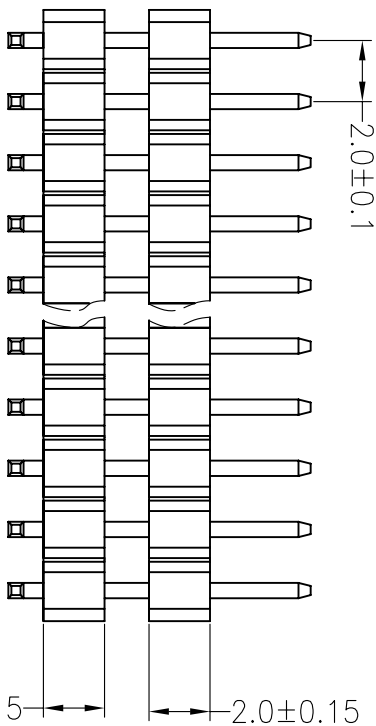
Contact Material: Brass
 Contact Plating: Au or Sn Over Ni
 Insulator Material: Polyester (UL94V-0)
 Standard: PA6T
 Max. Processing Temp: 230°C for 30-60 seconds
 (260°C for 5 seconds)



Ordering Information

1320 21 XX X N XX R XXX X 02

No. of Pins Per Row 1x40
 Insulator Material Option
 A=BK-PA6T
 B=BK-PA66
 C=BK-PA6T
 D=BK-PA46
 F=BK-LCP
 Contact Plating Option
 G0: Gold Flash
 G2: 5U" Gold
 G3: 10U" Gold
 G4: 15U" Gold
 G5: 30U" Gold
 S0: Gold Flash/Tin
 SN: Tin
 Pin Length
 Packing
 0=PE Bag
 A=Troy
 T=Tube



Dimension antitheses list						
ITEM	PA	PB	PC	D	L	
Standard	4.00	4.00	2.80	0.10	1.90	
Alternate						

BESTCONN(WUHAN) TECHNOLOGY CO., LTD

<https://bsconnector.com/>

OPERATION		DRAW		SCALE		FIT		PART NO.	
X.X	±0.30		Ben	12.10.10	UNIT	mm	A4	132021XXXXRXXXX02	
X.XX	±0.20	CHECK			SIZE	A4	1/1		
X.XXX	±0.10				SHEET	1/1			
Angle	±3°	APPROVE			PROJ.				
DIM	TOL								

REV	DATE	MODIFICATION DESCRIPTION	CHANGE
A0	2012.10.10	NEW DRAWING	
1			