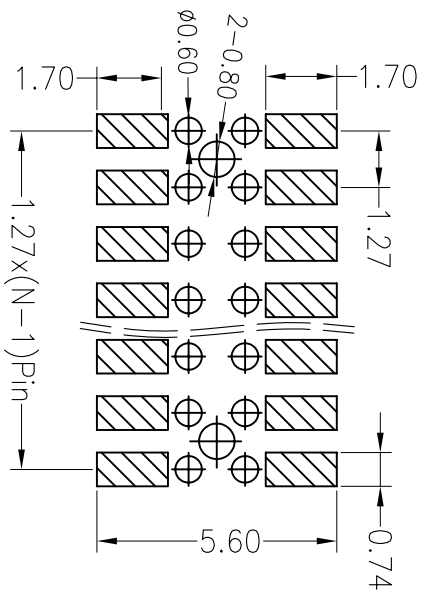
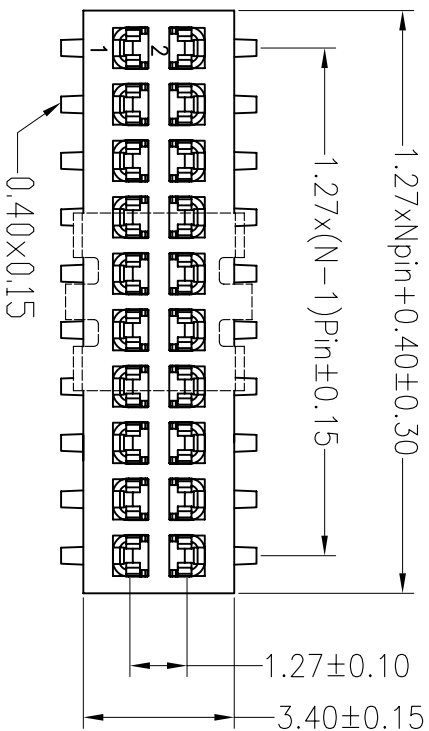


RoHS

SPECIFICATIONS

Rated Current: 1.0AMP
 Contact Resistance: 20mΩ Max
 Withstand Voltage: 500V AC/DC
 Insulation Resistance: 1000MΩ Min
 Operation Temperature: -40°C to +105°C

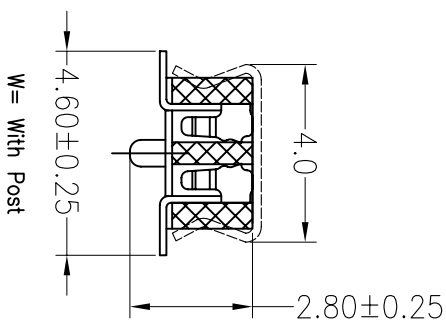
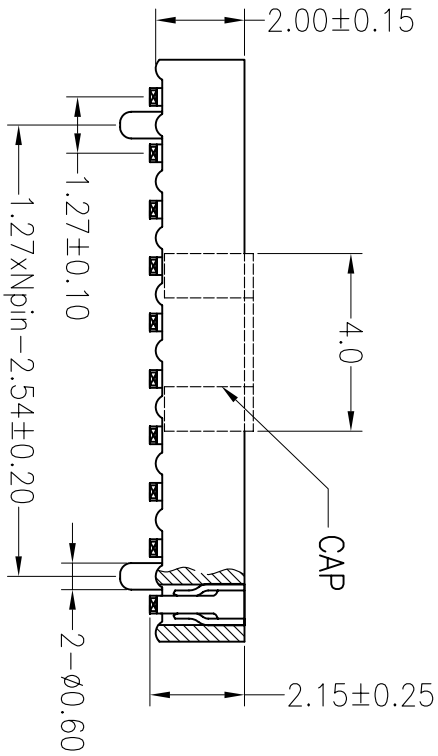
Contact Material: Phosphor Bronze
 Contact Plating: Au Over Ni
 Insulator Material: Polyester (UL94V-0)
 Standard: PA6T
 Max. Processing Temp: 230°C for 30-60 seconds
 (260°C for 10 seconds)



Ordering Information

2420T-2XX X XX M U 01

No. of Pins Per Row: 2x50
 Insulator Material Option:
 A=BK-PEIT
 B=BK-PA66
 C=BK-PA6T
 D=BK-PA46
 F=BK-LCP
 Post: W=With Post, N=W/O Post
 Contact Plating:
 G0: Gold Flash
 G2: 5U" Gold
 G3: 10U" Gold
 G4: 15U" Gold
 G5: 30U" Gold
 S0: Gold Flash/Tin
 SN: Tin



N = W/O Post

OPERATION		DRAW		SCALE		FIT		PART NO.	
X.X	±0.30	YTYuSheng		UNIT	mm	A4		2420T-2XXXXXXMU01	
X.XX	±0.20	CHECK		SIZE	A4	1/1		1.27PF 2xNPin H2.0 SMT Bottom Entry	
X.XXX	±0.10	APPROVE		SHEET	1/1	PROJ.			
REV	DATE	MODIFICATION DESCRIPTION		CHANGE	DIM	TOL			
A0	2012.08.18	NEW DRAWING							
1									

JIN 深圳市锦凌电子有限公司
 SHENZHEN JINLING ELECTRONIC CO.,LTD
 Tel: 86-755-2997-5806/5802 Fax: 86-755-2997-5992