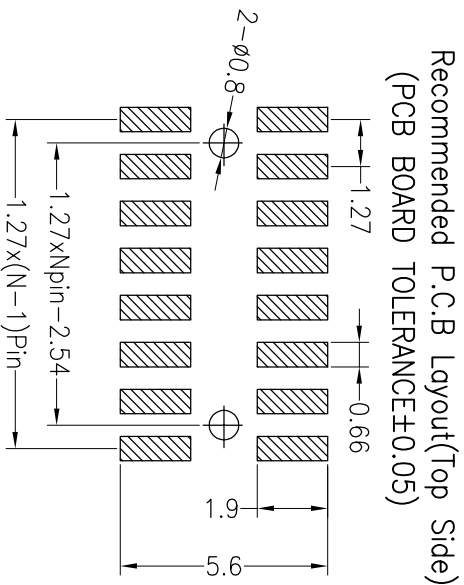
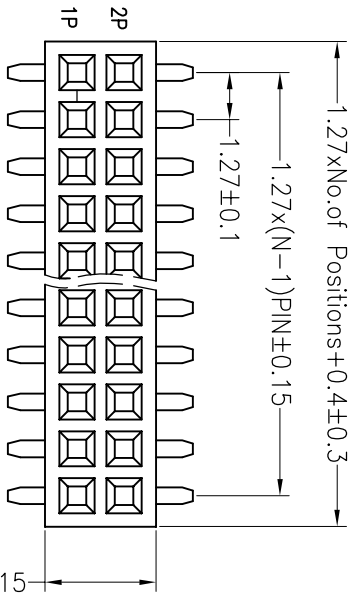




SPECIFICATIONS

Rated Current: 1.0AMP
 Contact Resistance: 20mΩ Max
 Withstand Voltage: 500V AC/DC
 Insulation Resistance: 1000MΩ Min
 Operation Temperature: -40°C to +105°C

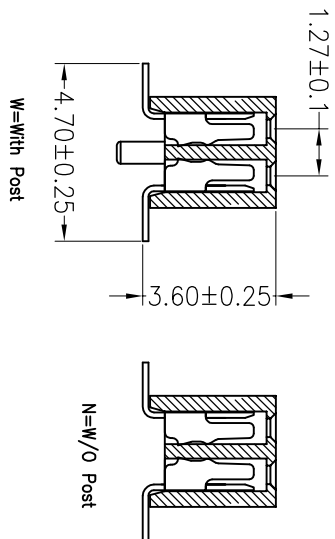
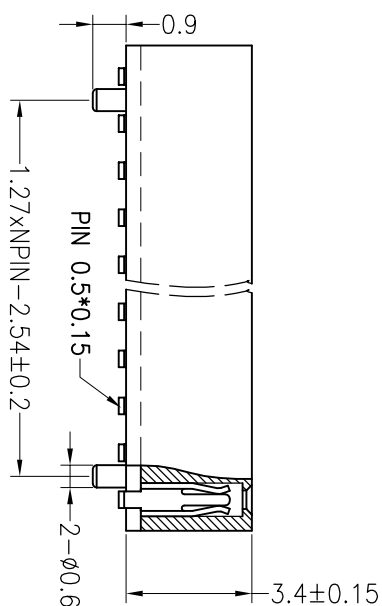
Contact Material: Phosphor Bronze
 Contact Plating: Au Over Ni
 Insulator Material: Polyester (UL94V-0)
 Standard: PA6T
 Max. Processing Temp: 230°C for 30-60 seconds
 (260°C for 10 seconds)



Ordering Information

2434 02 XX X XX M U X 01

No. of Pins Per Row: 2x50
 Insulator Material Option: A=BK-PBT, C=BK-PA6T, D=BK-PA46, E=BK-PA9T, F=BK-LCP
 Post: W=With Post, N=W/O Post
 Contact Plating: G1:Gold Flash, G2:1.5U" Gold, G3:2U" Gold, G4:3U" Gold, G5:5U" Gold, S0:Gold Flash/Tin
 Packing: 0=PE Bag, A=Troy, T=Tube, P=Tube+Cap, R=Reel+Cap, M=Reel+Mylar
 SN:Tin



| | | | | | | | | | | | | | |
|--------------------------|--|------------|--|-------------|--|----------|--|-------|--|-----|--|---|--|
| OPERATION | | DRAW | | BEN | | 12.04.18 | | SCALE | | FIT | | BESTCONN(WUHAN) TECHNOLOGY CO.,LTD | |
| X.X | | ±0.30 | | | | | | UNIT | | mm | | https://bsconnector.com/ | |
| X.XX | | ±0.20 | | | | | | SIZE | | A4 | | PART NO. | |
| X.XXX | | ±0.10 | | | | | | SHEET | | 1/1 | | 243402XXXXXXMU01 | |
| Angle | | ±3° | | APPROVE | | | | PROJ. | | | | TITLE: | |
| DIM | | TOL | | | | | | | | | | 1.27PF 2xNPin H3.4 W3.0 带内柱 | |
| CHANGE | | 4 | | 5 | | 6 | | 7 | | 8 | | 9 | |
| MODIFICATION DESCRIPTION | | 3 | | 1 | | 2 | | 3 | | 4 | | 5 | |
| DATE | | 2012.04.18 | | NEW DRAWING | | | | | | | | | |
| REV | | A0 | | | | | | | | | | | |