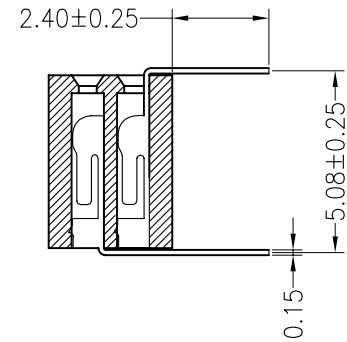
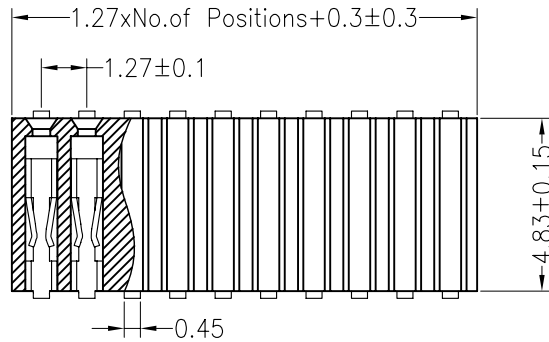




SPECIFICATIONS

Rated Current:1.0AMP
 Contact Resistance:20mΩ Max
 Withstand Voltage:500V AC/DC
 Insulation Resistance:1000MΩ Min
 Operation Temperature:-40°C to +105°C

Contact Material:Phosphor Bronze
 Contact Plating:Au Over Ni
 Insulator Material:Polyester(UL94V-0)
 Standard: PA6T
 Max.Processing Temp: 230°C for 30-60 seconds
 (260°C for 10 seconds)



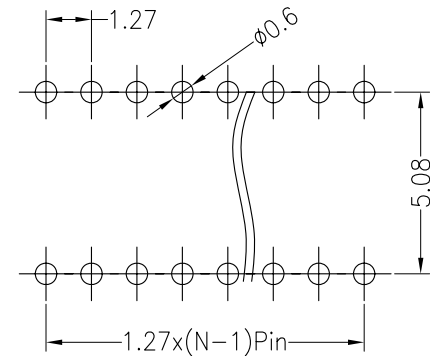
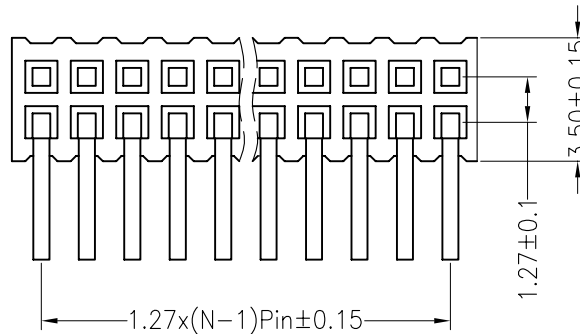
Ordering Information

2435 02 XX X N XX R U X 01

No.of Pins
2*2~2*50
Insulator Material Option
A=BK-PBT
B=BK-PA66
C=BK-PA6T
D=BK-PA46
E=BK-PA9T
F=BK-LCP

Contact Plating
G0:Gold Flash
G1:3U" Gold
G2:5U" Gold
G3:10U" Gold
G4:15U" Gold
G5:30U" Gold
S0:Gold Flash/Tin
SN:Tin

Packing
T=Tube
P=Tube+Cap
R=Reel+Cap
M=Reel+Mylar



P.C.B Layout

				OPERATION		DRAW	YiYuSheng	18.03.20	SCALE	FIT	BESTCONN(WUHAN) TECHNOLOGY CO.,LTD https://bscconnector.com/	
				X.X	±0.30				UNIT	mm		
				X.XX	±0.20	CHECK	SIZE	A4	PART NO.	243502XXXNXXRUX01		
A0	2018.03.20	NEW DRAWING		X.XXX	±0.10	APPROVE			SHEET	1/1	TITLE:	1.27PF 2xNPin H3.45 W4.83 90°
REV	DATE	MODIFICATION DESCRIPTION		ANGLE	±3°				PROJ.	◆		

1 2 3 4 5 6 7 8 9