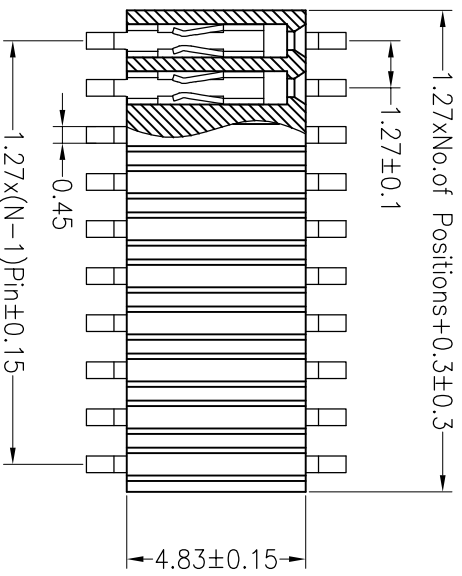


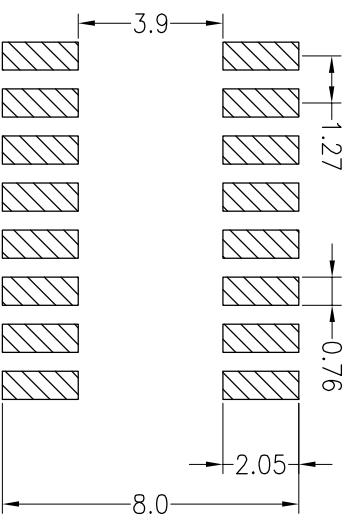
SPECIFICATIONS

Rated Current: 1.0AMP
 Contact Resistance: 20mΩ Max
 Withstand Voltage: 500V AC/DC
 Insulation Resistance: 1000MΩ Min
 Operation Temperature: -40°C to +105°C

Contact Material: Phosphor Bronze
 Contact Plating: Au Over Ni
 Insulator Material: Polyester (UL94V-0)
 Standard: PA9T
 Max. Processing Temp: 230°C for 30-60 seconds
 (260°C for 10 seconds)



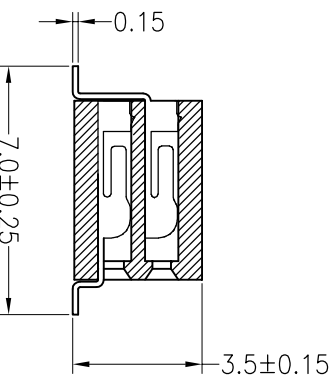
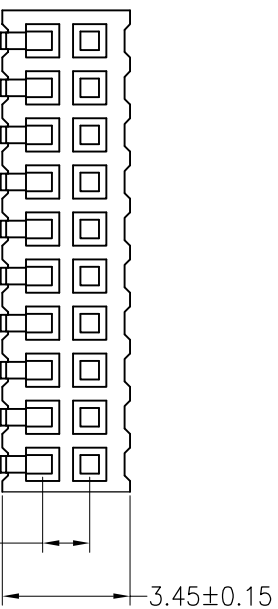
Recommended P.C.B Layout (Top Side)
 (PCB BOARD TOLERANCE ±0.05)



Ordering Information

2435 02 XX X N XX M UX 01

- No. of Pins: 2*2~2*50
- Insulator Material Option:
 - A=BK-PBT
 - B=BK-PA66
 - C=BK-PA6T
 - D=BK-PA46
 - E=BK-PA9T
 - F=BK-LCP
- Contact Plating:
 - G0: Gold Flash
 - G1: 3U" Gold
 - G2: 5U" Gold
 - G3: 10U" Gold
 - G4: 15U" Gold
 - G5: 30U" Gold
 - S0: Gold Flash/Tin
 - SN: Tin
- Packing:
 - T=Tube
 - P=Tube+Cap
 - R=Reel+Cap
 - M=Reel+Myler



OPERATION		DRAW		SCALE		FIT		BESTCONN(WUHAN) TECHNOLOGY CO.,LTD	
X.X		Y.YuSheng		UNIT		mm		https://bsconnector.com/	
X.XX		18.03.20		SIZE		A4		PART NO. 243502XXXXXXMUX01	
X.XXX		±0.10		SHEET		1/1		TITLE: 1.27PF 2XNPin H3.45 W4.83 SMT	
Angle ±3°		APPROVE		PROJ.		◆			
DIM TOL		CHANGE		5		6		7	
MODIFICATION DESCRIPTION		4		5		6		7	
DATE		3		4		5		6	
REV		2		3		4		5	
1		2		3		4		5	

NEW DRAWING

2018.03.20

A0