

## Technical Specs:

Insulator: Black glass filled polyester PPS-GF30-FR

Flammability: UL 94V-O

Sleeve: Brass

Contact clip(6 finger): Beryllium copper(C17200)

Accepted pin:  $\varnothing 0.70$  to  $0.90\text{mm}$ ,  $0.635\text{mm}$

Forces: (polished steel gauge  $\varnothing 0.76\text{mm}$ )

--Insertion 2 N typ

--Withdrawal 1 N typ

Mechanical life: min500 cycles

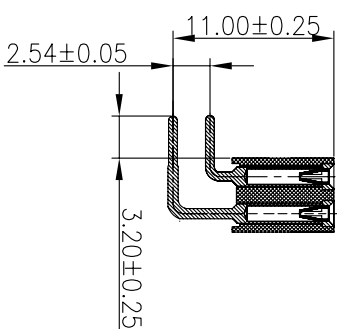
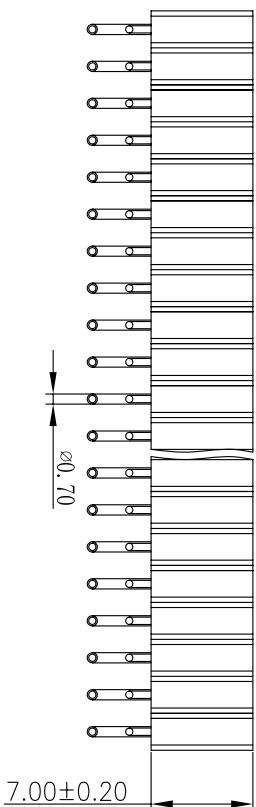
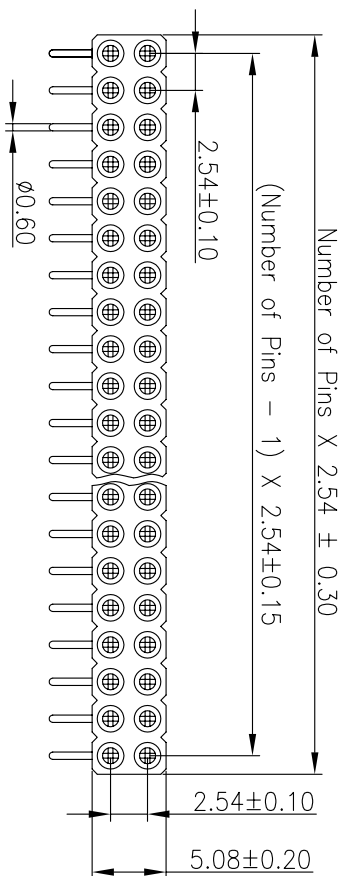
Rated current: 3A

Contact resistance: max  $10\text{m}\Omega$

Dielectric resistance: Min  $1000\text{M}\Omega$

Coplanarity SMD max  $0.1\text{mm}$ (measured on

terminations: 25mm long connectors)



## Ordering Information

3620 70 2 XX R XX 124 01

Insulator Type No. of Pins  
 Code 1x40Pins  
 1: Single row 2x40Pins  
 2: Double row

Contact Plating Pin Length  
 SN: Tin 124=12.4mm  
 G0: Gold Flash  
 G2: 2U"Gold  
 G3: 3U"Gold  
 G4: 5U"Gold  
 G5: 10U"Gold  
 S0: Gold Flash/Tin  
 Standard: G0

Standard: G0

BESTCONN(WUHAN) TECHNOLOGY CO.,LTD

<https://bscconnector.com/>

PART NO. 3620702XXRX12401

TITLE: 2.54x7.0 Machine Female Header 90°  
 L=12.4/17.4mm

OPERATION

X.X ±0.30

X.XX ±0.20

X.XXX ±0.10

Angle ±3°

DIM TOL

DRAW

BEN

12.03.28

CHECK

APPROVE

PROJ.

SCALE

UNIT

mm

FIT

A4

1/1

BESTCONN(WUHAN) TECHNOLOGY CO.,LTD

<https://bscconnector.com/>

PART NO. 3620702XXRX12401

TITLE: 2.54x7.0 Machine Female Header 90°  
 L=12.4/17.4mm

OPERATION

X.X ±0.30

X.XX ±0.20

X.XXX ±0.10

Angle ±3°

DIM TOL

DRAW

BEN

12.03.28

CHECK

APPROVE

PROJ.

SCALE

UNIT

mm

FIT

A4

1/1

BESTCONN(WUHAN) TECHNOLOGY CO.,LTD

<https://bscconnector.com/>

PART NO. 3620702XXRX12401

TITLE: 2.54x7.0 Machine Female Header 90°  
 L=12.4/17.4mm