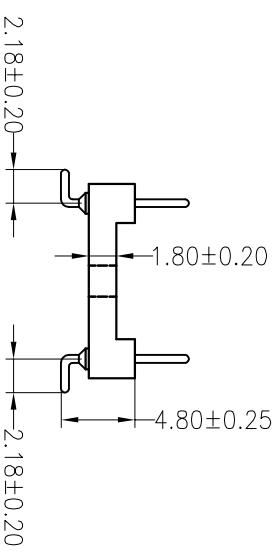
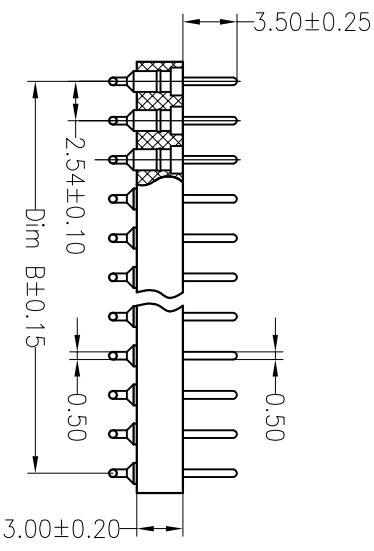
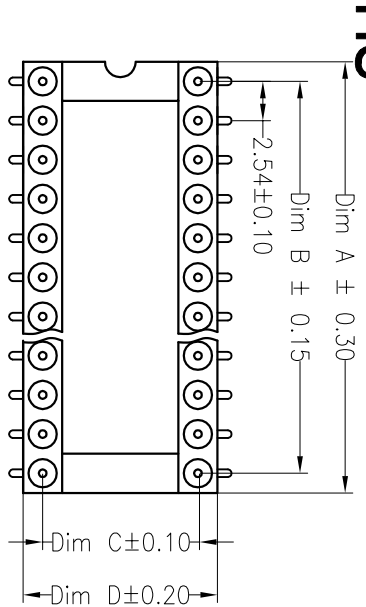


HSE ROHS

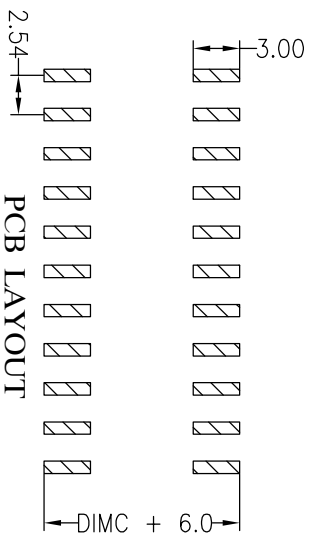
Contact	Dim A	Dim B	Dim C	Dim D
6	7.62	5.08	7.62	10.16
8	10.16	7.62	7.62	10.16
10	12.70	10.16	7.62	10.16
14	17.78	15.24	7.62	10.16
16	20.32	17.78	7.62	10.16
18	22.86	20.32	7.62	10.16
20	25.40	22.86	7.62	10.16
24	30.48	27.94	7.62	10.16
28	35.56	33.02	7.62	10.16
20	25.40	22.86	10.16	12.70
22	27.94	25.40	10.16	12.70
24	30.48	27.94	10.16	12.70
28	35.56	33.02	10.16	12.70
24	30.48	27.94	15.24	17.78
28	35.56	33.02	15.24	17.78
32	40.64	38.10	15.24	17.78
36	45.72	43.18	15.24	17.78
40	50.80	48.26	15.24	17.78
42	53.34	50.80	15.24	17.78
48	60.96	58.42	15.24	17.78
50	63.50	60.96	15.24	17.78
52	66.04	63.50	15.24	17.78
50	63.50	60.96	22.86	25.40
52	66.04	63.50	22.86	25.40
64	81.28	78.74	22.86	25.40



Ordering Information

3660 30 X XX M XX 100 X 1

- Insulator Width N=7.62
- No. of Pins E=10.16
- Contact Plating G0:Gold Flash
- Pin Length 100=10.0mm
- Packing 0=Pe Bag
- Insulator Width N=7.62
- No. of Pins E=10.16
- Contact Plating G2:2U/Gold
- Pin Length 100=10.0mm
- Packing T=Tube
- Insulator Width N=7.62
- No. of Pins E=10.16
- Contact Plating G3:3U/Gold
- Pin Length 100=10.0mm
- Packing T=Tube
- Insulator Width N=7.62
- No. of Pins E=10.16
- Contact Plating G4:5U/Gold
- Pin Length 100=10.0mm
- Packing T=Tube
- Insulator Width N=7.62
- No. of Pins E=10.16
- Contact Plating G5:10U/Gold
- Pin Length 100=10.0mm
- Packing T=Tube



PCB LAYOUT

Materials
 Pin:Brass,machined, (H59-3)
 Plating:Gold plated:1.25u "m/50u "nickel,full gold
 Insulator body(block):PPS/PBT(UL94V-0)

Electrical
 Current rating:3 Amps
 Contact resistance:20mΩ Max
 Insulation resistance:1000MΩ Min
 Operating voltage:60 AC/DC

Mechanical
 Operating temperature :-40°C to +105°C
 Soldering temperature:260°C,10s max

REV	DATE	MODIFICATION DESCRIPTION	CHANGE	DIM	TOL	APPROVE	SCALE	FIT	TITLE:
A0	2012.07.24	NEW DRAWING					A4	1/1	366030XXXXMXX100X1
1									2.54X3.0 IC Socket SMT L=10.0

BESTCONN(WUHAN) TECHNOLOGY CO.,LTD
<https://bscconnector.com/>