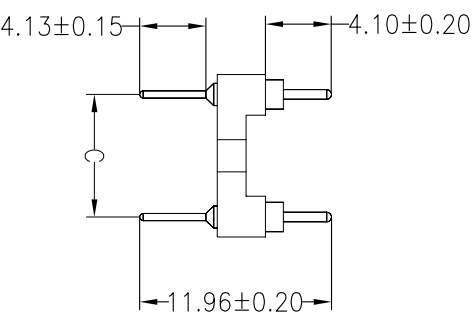
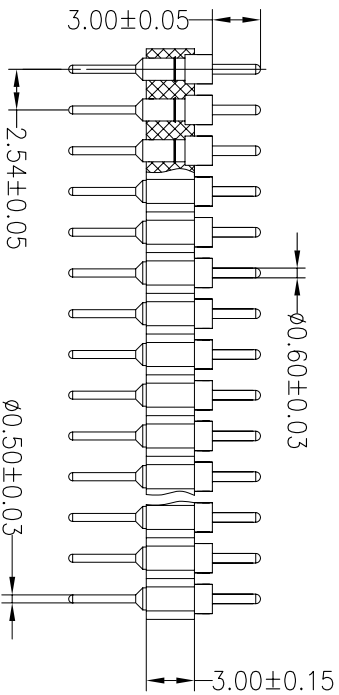
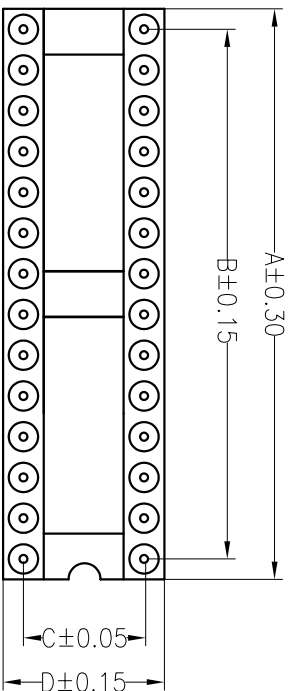


# HSE ROHS

| Contact | Dim A | Dim B | Dim C | Dim D |
|---------|-------|-------|-------|-------|
| 6       | 7.62  | 5.08  | 7.62  | 10.16 |
| 8       | 10.16 | 7.62  | 7.62  | 10.16 |
| 10      | 12.70 | 10.16 | 7.62  | 10.16 |
| 14      | 17.78 | 15.24 | 7.62  | 10.16 |
| 16      | 20.32 | 17.78 | 7.62  | 10.16 |
| 18      | 22.86 | 20.32 | 7.62  | 10.16 |
| 20      | 25.40 | 22.86 | 7.62  | 10.16 |
| 24      | 30.48 | 27.94 | 7.62  | 10.16 |
| 28      | 35.56 | 33.02 | 7.62  | 10.16 |
| 20      | 25.40 | 22.86 | 10.16 | 12.70 |
| 22      | 27.94 | 25.40 | 10.16 | 12.70 |
| 24      | 30.48 | 27.94 | 10.16 | 12.70 |
| 28      | 35.56 | 33.02 | 10.16 | 12.70 |
| 24      | 30.48 | 27.94 | 15.24 | 17.78 |
| 28      | 35.56 | 33.02 | 15.24 | 17.78 |
| 28      | 35.56 | 33.02 | 15.24 | 17.78 |
| 32      | 40.64 | 38.10 | 10.16 | 12.70 |
| 32      | 40.64 | 38.10 | 15.24 | 17.78 |
| 36      | 45.72 | 43.18 | 15.24 | 17.78 |
| 40      | 50.80 | 48.26 | 15.24 | 17.78 |
| 42      | 53.34 | 50.80 | 15.24 | 17.78 |
| 48      | 60.96 | 58.42 | 15.24 | 17.78 |
| 50      | 63.50 | 60.96 | 15.24 | 17.78 |
| 52      | 66.04 | 63.50 | 15.24 | 17.78 |
| 50      | 63.50 | 60.96 | 22.86 | 25.40 |
| 52      | 66.04 | 63.50 | 22.86 | 25.40 |
| 64      | 81.28 | 78.74 | 22.86 | 25.40 |



**Materials**  
 Pin: Brass, machined, (H59-3)  
 Plating: Gold plated: 1.25u"m/50u"nickel, full gold  
 Insulator body (black): PPS/PBT (UL94V-0)

**Electrical**  
 Current rating: 3 Amps  
 Contact resistance: 20mΩ Max  
 Insulation resistance: 1000MΩ Min  
 Operating voltage: 60 AC/DC

**Mechanical**  
 Operating temperature : -40°C to +105°C  
 Soldering temperature: 260°C, 10s max

**PCB LAYOUT**

## Ordering Information

3660 30 X XX S XX 119 X1

Insulator Width No. of Pins  
 N=7.62  
 E=10.16  
 W=15.24  
 Y=22.86

Contact Plating  
 S=Sn/Tin  
 00=Gold Flash  
 G2=2U"Gold  
 G3=3U"Gold  
 G4=5U"Gold  
 G5=10U"Gold  
 Standard: G0

Pin Length  
 119=11.96mm

Packing  
 0=Pe Bag  
 T=Tube

Standard: G0

| REV | DATE       | MODIFICATION DESCRIPTION | CHANGE | OPERATION      | DRAW    | YTYuSheng | 12.07.24 | SCALE      | FIT | PART NO.          | TITLE:                          |
|-----|------------|--------------------------|--------|----------------|---------|-----------|----------|------------|-----|-------------------|---------------------------------|
| A0  | 2012.07.24 | NEW DRAWING              |        | X.X<br>±0.30   | CHECK   |           |          | UNIT<br>mm | A4  | 366030XXXXXX119X1 | 2.54X3.0 IC Socket 180° L=11.96 |
| 1   |            |                          |        | X.XX<br>±0.20  |         |           |          | SIZE<br>A4 | 1/1 |                   |                                 |
|     |            |                          |        | X.XXX<br>±0.10 | APPROVE |           |          | SHEET      |     |                   |                                 |
|     |            |                          |        | Angle<br>±3°   |         |           |          | PROJ.      |     |                   |                                 |
|     |            |                          |        | DIM            | TOL     |           |          |            |     |                   |                                 |

BESTCONN(WUHAN) TECHNOLOGY CO.,LTD  
<https://bsconnector.com/>