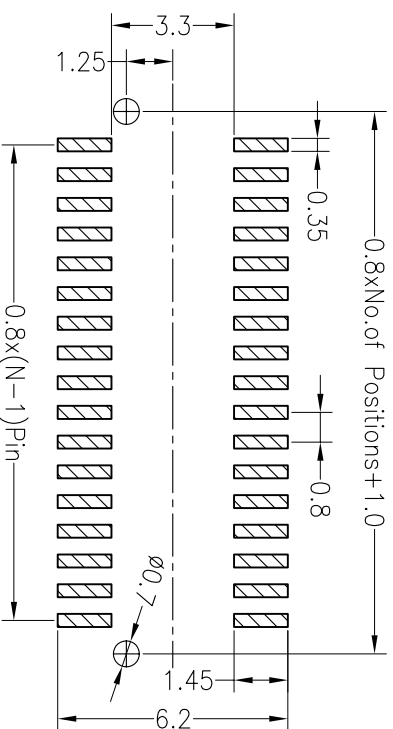
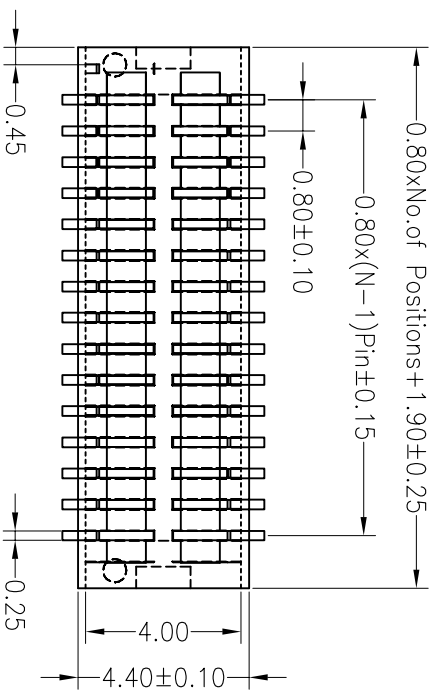


**SPECIFICATIONS**

Electical Rating:AC/DC 50V 0.5A  
 Insulation Resistance: 500MΩ  
 Withstang Volt:200V AC/minute  
 Oprtrng Temperature:-25°to+85°

Contact Material:Phosphor Bronze  
 Contact:Au Over Ni  
 Insulator Material:PA9T(UL94V-0)

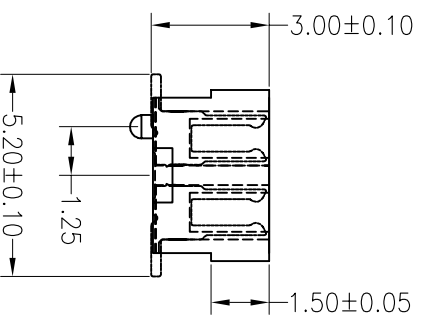
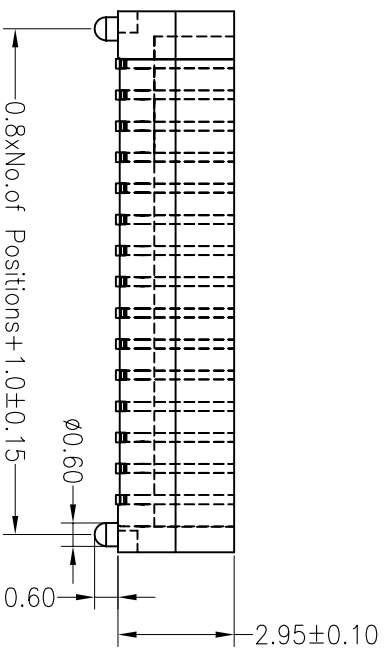
Recommended P.C.B Layout(Top Side)  
 (PCB BOARD TOLERANCE±0.05)



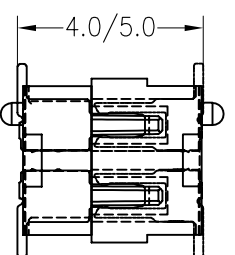
**Ordering Information**

3713-F XXX 030 XX D X 01

F=Female M=Male  
 No. of pins 08~100P  
 Plastic Height 030=3.0mm  
 Contact Plating G0:Gold Flash G1:3U" Gold G2:5U" Gold G3:10U" Gold G4:15U" Gold G5:30U" Gold  
 Packing T:Tube R:Reel  
 Contact Plating 50:Gold Flash/Tin



**ASSEMBLY**



BESTCONN(WUHAN) TECHNOLOGY CO.,LTD  
<https://bsconnector.com/>

OPERATION		DRAW		SCALE		FIT		PART NO.	
X.X	±0.30	BEN	14.07.09	UNIT	mm	A4	1/1	3713-FXXXX030XXDX01	
X.XX	±0.20	CHECK		SIZE	A4	SHEET	1/1	0.80BTB NPin H3.0 Female	
X.XXX	±0.10	APPROVE		PROJ.				双槽加宽 SMT 带柱	
Angle	±3°								
DIM	TOL								

REV	DATE	MODIFICATION DESCRIPTION	CHANGE
A0	2014.07.09	NEW DRAWING	
1			