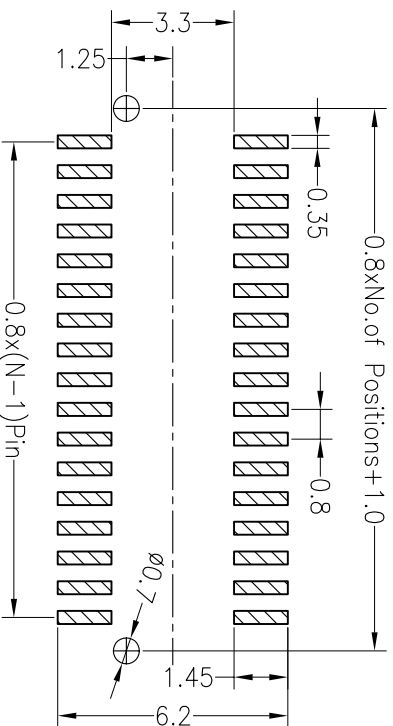
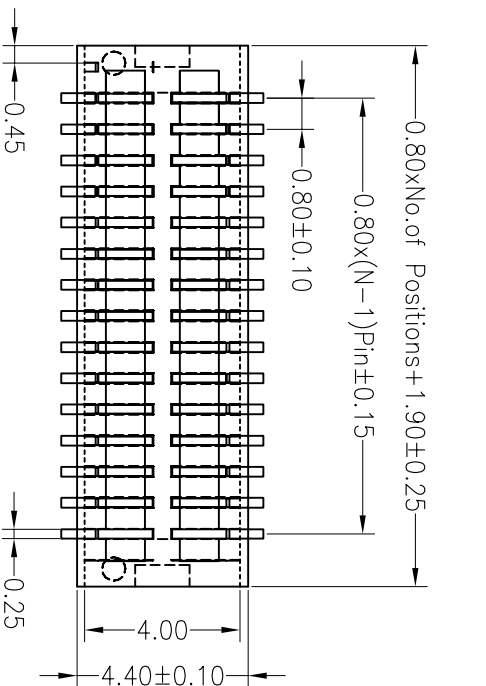


SPECIFICATIONS

Electical Rating:AC/DC 50V 0.5A
 Insulation Resistance: 500MΩ
 Withstang Volt:200V AC/minute
 Oprating Temperature:-25°to+85°

Contact Material:Phosphor Bronze
 Contact:Au Over Ni
 Insulator Material:PA9T(UL94V-0)

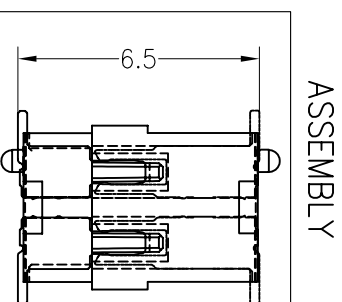
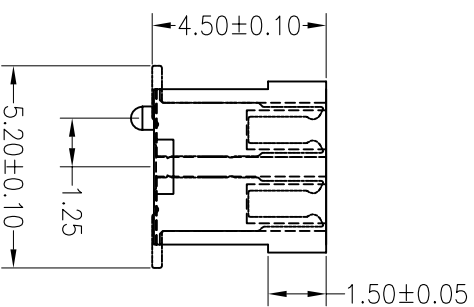
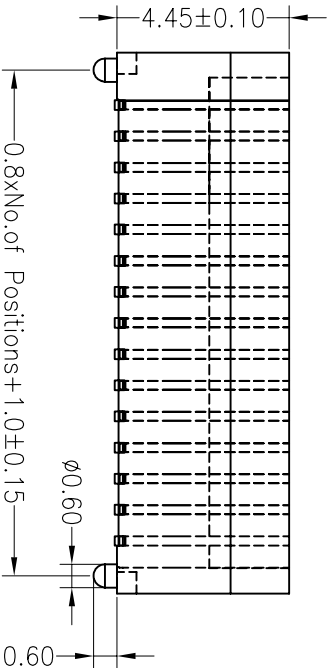
Recommended P.C.B Layout(Top Side)
 (PCB BOARD TOLERANCE±0.05)



Ordering Information

3713-F-XXX-045-XX-D-X-01

F=Female M=Male
 No. of pins 08~100P
 Plastic Height 045=4.5mm
 Contact Plating G0:Gold Flash G1:3U" Gold G2:5U" Gold G3:10U" Gold G4:15U" Gold G5:30U" Gold
 Packing T:Tube R:Reel
 Contact Plating 50:Gold Flash/Tin



BESTCONN(WUHAN) TECHNOLOGY CO.,LTD
<https://bsconnector.com/>

OPERATION		DRAW		SCALE		PART NO.	
X.X	±0.30	BEN	14.07.09	FIT	A4	3713-FXXX045XXDX01	
X.XX	±0.20	CHECK		UNIT	mm		
X.XXX	±0.10			SIZE	A4		
Angle	±3°	APPROVE		SHEET	1/1		
DIM	TOL			PROJ.			
MODIFICATION DESCRIPTION		CHANGE		TITLE:		0.80BTB NPin H4.5 Female 双槽加宽 SMT 带柱	

REV	DATE	CHANGE		TITLE:	
A0	2014.07.09	NEW DRAWING		0.80BTB NPin H4.5 Female 双槽加宽 SMT 带柱	
1					