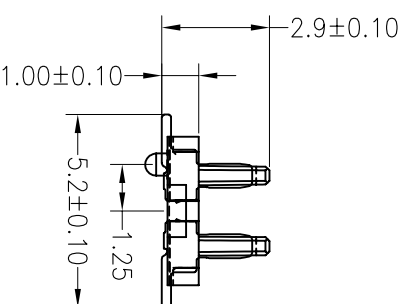
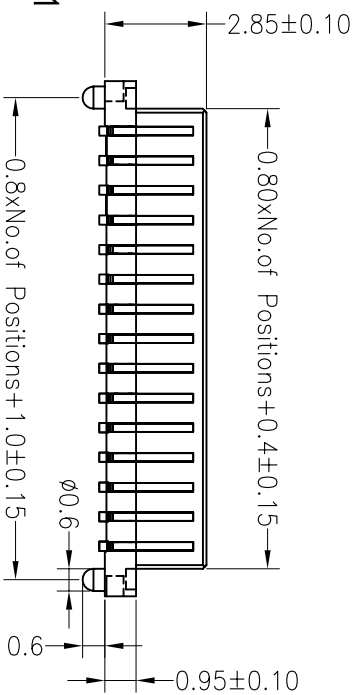
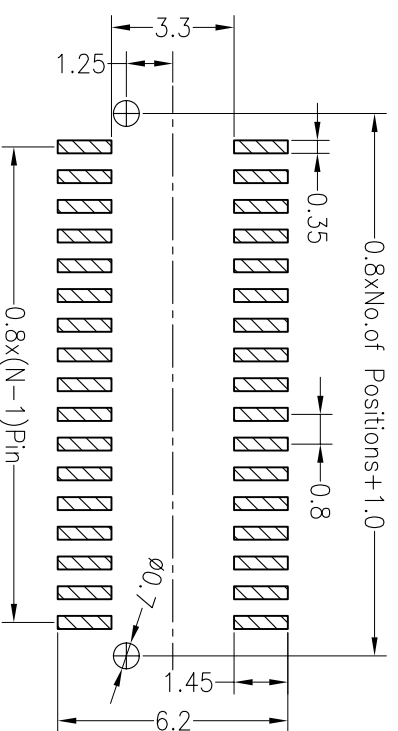
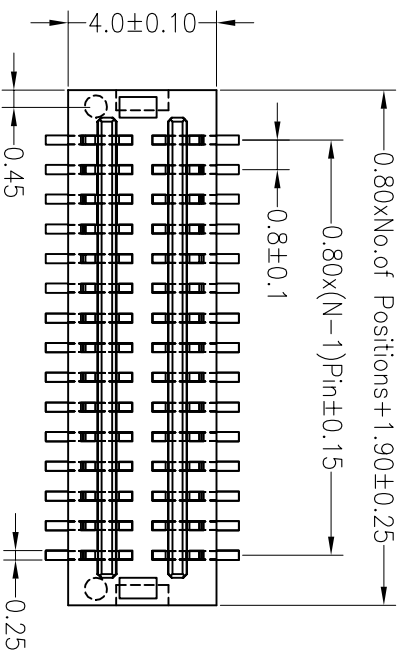


**SPECIFICATIONS**

Electical Rating:AC/DC 50V 0.5A  
 Insulation Resistance: 500MΩ  
 Withstang Volt:200V AC/minute  
 Oprating Temperature:-25°to+85°

Contact Material:Phosphor Bronze  
 Contact:Au Over Ni  
 Insulator Material:PA9T(UL94V-0)

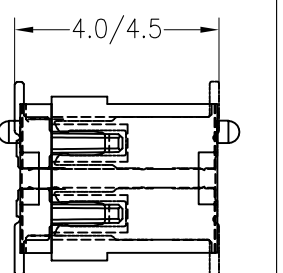


**Ordering Information**

3713-M XXX 029 XX D X 01

F=Female M=Male  
 No. of pins: 08~100P  
 Plastic Height: 029=2.9mm  
 Contact Plating: G0:Gold Flash, G1:3U" Gold, G2:5U" Gold, G3:10U" Gold, G4:15U" Gold, G5:30U" Gold  
 Packing: T:Tube, R:Reel  
 Contact Plating: G0:Gold Flash, G1:3U" Gold, G2:5U" Gold, G3:10U" Gold, G4:15U" Gold, G5:30U" Gold  
 Contact Plating: G0:Gold Flash, G1:3U" Gold, G2:5U" Gold, G3:10U" Gold, G4:15U" Gold, G5:30U" Gold  
 Contact Plating: G0:Gold Flash, G1:3U" Gold, G2:5U" Gold, G3:10U" Gold, G4:15U" Gold, G5:30U" Gold

**ASSEMBLY**



BESTCONN(WUHAN) TECHNOLOGY CO.,LTD

<https://bsconnector.com/>

Recommended P.C.B Layout(Top Side)  
 (PCB BOARD TOLERANCE±0.05)

OPERATION	X.X	±0.30	DRAW	BEN	14.07.09	SCALE	FIT	BESTCONN(WUHAN) TECHNOLOGY CO.,LTD
	X.XX	±0.20						
CHECK	X.XXX	±0.10	CHECK			SIZE	A4	PART NO.
	X.XXX	±0.10						
ANGLE	±3°		APPROVE			PROJ.		TITLE:
DATE	2014.07.09		CHANGE					0.80BTB NPin H2.9 Male
REV	1		MODIFICATION DESCRIPTION					双槽加宽 SMT 带柱