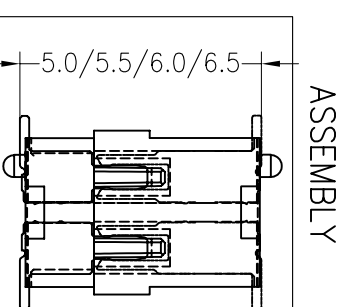
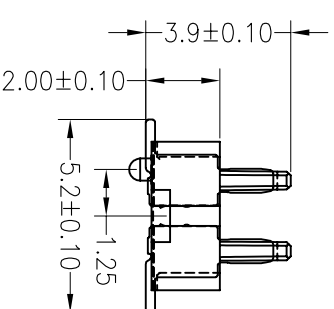
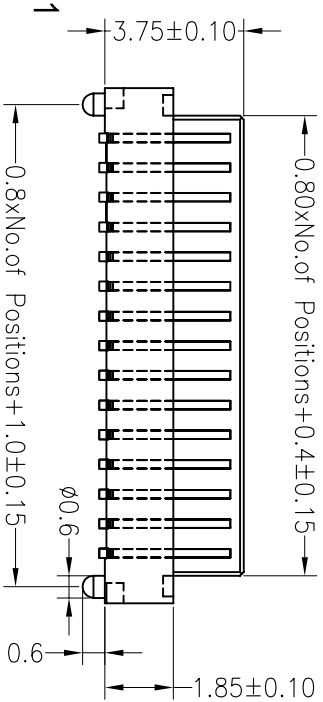
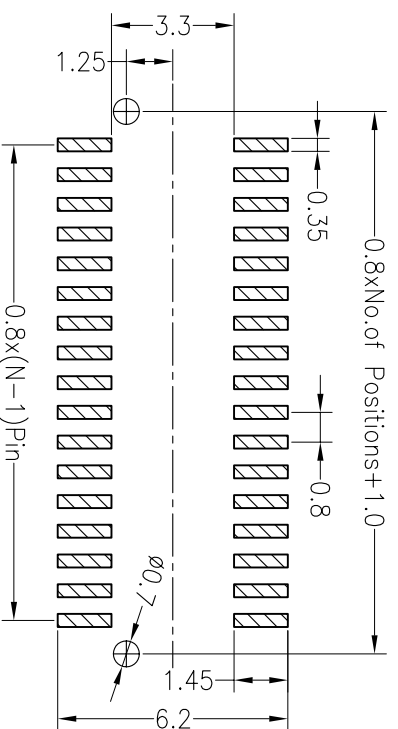
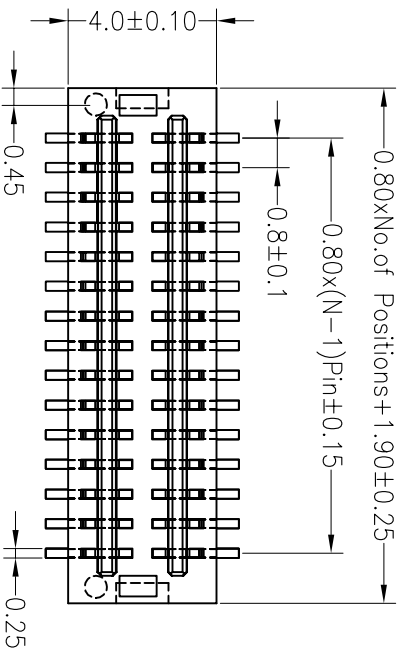


SPECIFICATIONS

Electical Rating:AC/DC 50V 0.5A
 Insulation Resistance: 500MΩ
 Withstang Volt:200V AC/minute
 Oprting Temperature:-25°to+85°

Contact Material:Phosphor Bronze
 Contact:Au Over Ni
 Insulator Material:PA9T(UL94V-0)



Ordering Information

3713-M XXX 039 XX D X 01

F=Female M=Male
 No. of pins 08~100P
 Plastic Height 039=3.9mm
 Contact Plating
 G0:Gold Flash
 G1:3U" Gold
 G2:5U" Gold
 G3:10U" Gold
 G4:15U" Gold
 G5:30U" Gold
 50:Gold Flash/Tin
 Packing
 T:Tube
 R:Reel

OPERATION		DRAW		BEN		SCALE		FIT		BESTCONN(WUHAN) TECHNOLOGY CO.,LTD	
X.X	±0.30			14.07.09		UNIT	mm	A4	1/1	https://bsconnector.com/	
X.XX	±0.20	CHECK				SIZE	A4	1/1	PART NO. 3713-MXXX039XXDX01		
X.XXX	±0.10	APPROVE				SHEET	1/1	TITLE: 0.80BTB NPin H3.9 Male			
Angle	±3°					PROJ.	1/1	双槽加宽 SMT 带柱			
DIM	TOL										
CHANGE											
MODIFICATION DESCRIPTION											
DATE											
REV											
A0	2014.07.09	NEW DRAWING									
1											