

# HSE ROHS

## SPECIFICATIONS

Rated Current: 1.0AMP  
 Contact Resistance: 20mΩ Max  
 Withstand Voltage: 500V AC/DC  
 Insulation Resistance: 1000MΩ Min  
 Operation Temperature: -40°C to +105°C

Contact Material: Brass  
 Contact Plating: Sn Over Ni  
 Insulator Material: Polyester (UL94V-0)  
 Standard: PA46  
 Max. Processing Temp: 230°C for 30-60 seconds  
 (260°C for 10 seconds)

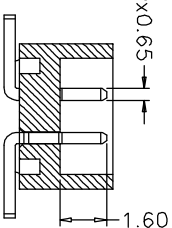
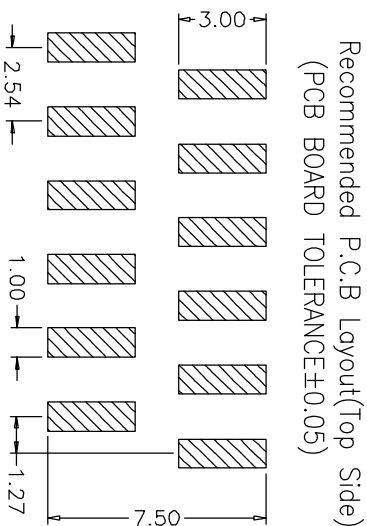
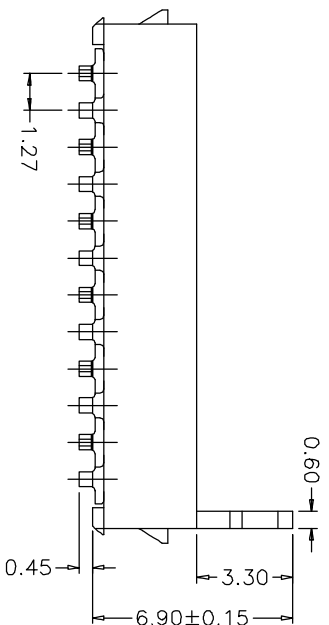
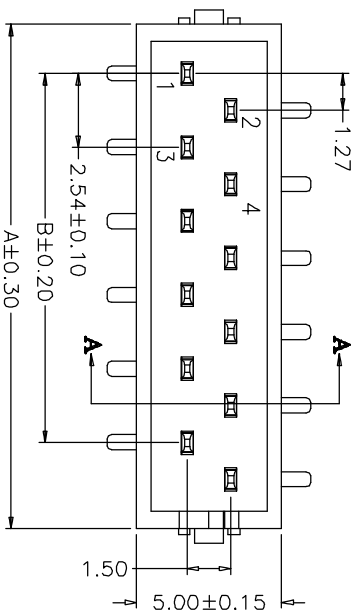
### Dimensional

PINS	A	B
4	7.13	2.54
6	9.67	5.08
8	12.21	7.62
10	14.75	10.16
12	17.29	12.70
14	19.83	15.24
16	22.37	17.78
18	24.91	20.32
20	27.45	22.86
22	29.99	25.4
24	32.53	27.94
26	35.07	30.48

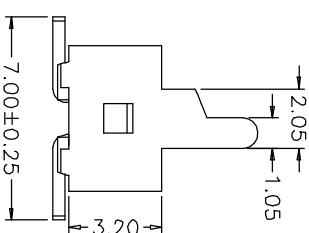
## Ordering Information

4000-XX M M SN XN X OX

No. of Pins: 04~26P  
 Insulator Material: A=PBT, D=PA46  
 Packing: T=Tube, R=Reel+Cap



SECTION A-A



REV	DATE	MODIFICATION DESCRIPTION	CHANGE	DIM	TOL	APPROVE	OPERATION	SCALE	FIT	TITLE:
A0	2020.05.11	NEW DRAWING		X:XXX	±0.10	CHECK	±0.30	A4	1/1	PART NO. 4000-XXMMSNXXOX
1			CHANGE	Angle	±3°	APPROVE	±0.20	mm		红色DC 公头 SMT 无接口

BESTCONN(WUHAN) TECHNOLOGY CO.,LTD  
<https://bsconnector.com/>