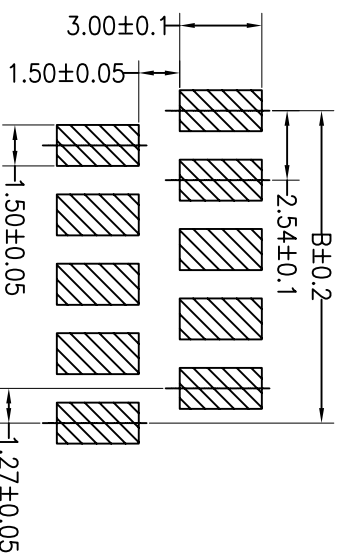
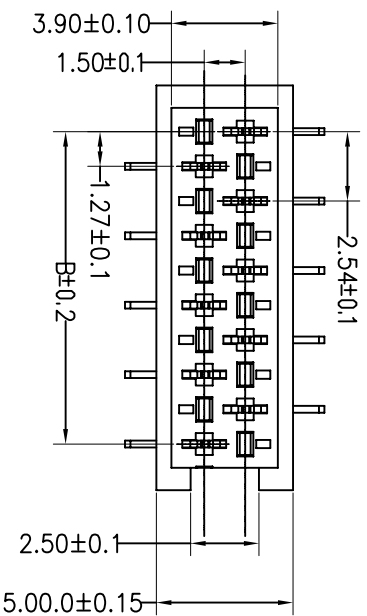


HSE RoHS

SPECIFICATIONS

Rated Current: 1.0AMP
 Contact Resistance: 20mΩ Max
 Withstand Voltage: 500V AC/DC
 Insulation Resistance: 1000MΩ Min
 Operation Temperature: -40°C to +105°C
 Contact Material: Phosphor Bronze
 Contact Plating: Sn Over Ni
 Insulator Material: Polyester (UL94V-0)
 Standard: PA46
 Max. Processing Temp: 230°C for 30-60 seconds
 (260°C for 10 seconds)

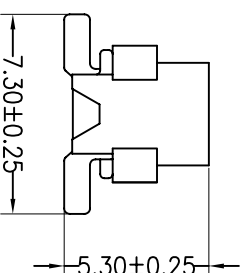
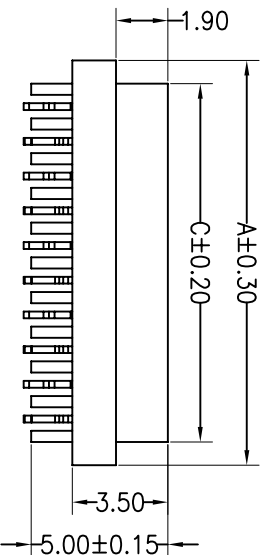


Recommended P.C.B Layout(Top Side)
 (PCB BOARD TOLERANCE±0.05)

Ordering Information

4000 XX F M SN X N X 01

No. of Pins: 04~26P
 Contact Plating: SO:Gold Flash/Tin
 Insulator Material Option: A=BK-PBT, D=BK-PA46
 Packing: T=Tube, R=Reel



| PINS | A | B | C |
|------|-------|-------|-------|
| 4 | 7.00 | 3.81 | 5.60 |
| 6 | 9.54 | 6.35 | 8.14 |
| 8 | 12.08 | 8.89 | 10.68 |
| 10 | 14.62 | 11.43 | 13.22 |
| 12 | 17.16 | 13.97 | 15.76 |
| 14 | 19.70 | 16.51 | 18.30 |
| 16 | 22.24 | 19.05 | 20.84 |
| 18 | 24.78 | 21.59 | 23.38 |
| 20 | 27.32 | 24.13 | 25.92 |
| 22 | 29.86 | 26.67 | 28.46 |
| 24 | 32.40 | 29.21 | 31.00 |
| 26 | 34.94 | 31.75 | 33.54 |

OPERATION

X.X ±0.30

X.XX ±0.20

X.XXX ±0.10

Angle ±3°

DIM TOL

DRAW

CHECK

APPROVE

SCALE FIT

UNIT mm

SIZE A4

SHEET 1/1

PROJ.

BESTCONN(WUHAN) TECHNOLOGY CO.,LTD

<https://bsconnector.com/>

PART NO. 4000XXFMSNXX01

TITLE: Micro Match FEMALE-SMT TYPE