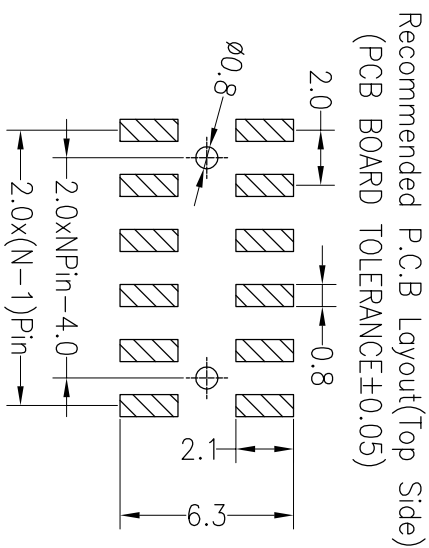
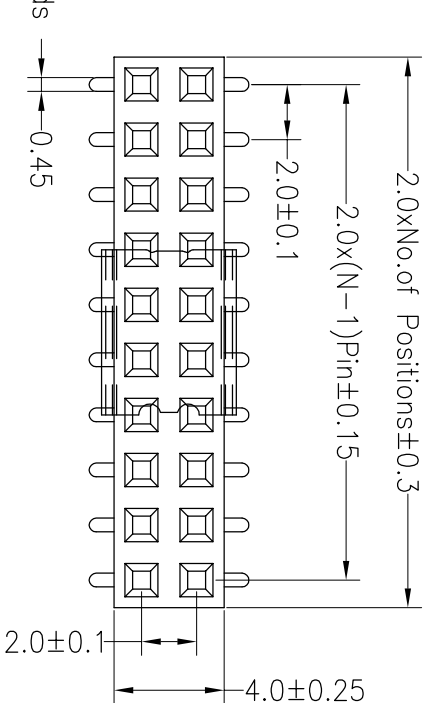


## SPECIFICATIONS

Rated Current: 1.5AMP  
 Contact Resistance: 20mΩ Max  
 Withstand Voltage: 500V AC/DC  
 Insulation Resistance: 1000MΩ Min  
 Operation Temperature: -40°C to +105°C

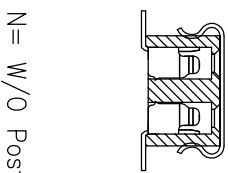
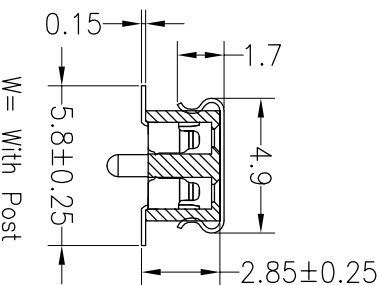
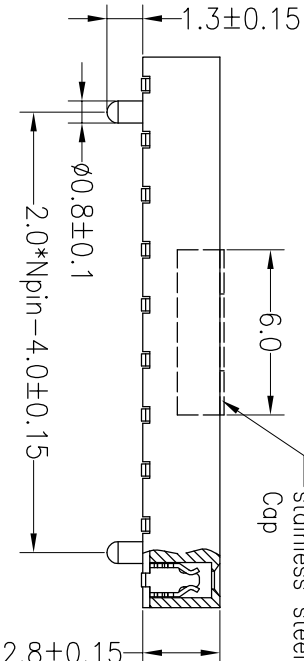
Contact Material: Phosphor Bronze  
 Contact Plating: Au or Sn Over Ni  
 Insulator Material: Polyester (UL94V-0)  
 Standard: PA6T  
 Max. Processing Temp: 230°C for 30-60 seconds  
 (260°C for 10 seconds)



## Ordering Information

2328 02 XX X X XX M U X 01

No. of Pins: 2x2~2\*40  
 Insulator Material Option:  
 A=BK-PA6T  
 C=BK-PA6T  
 D=BK-PA46  
 E=BK-PA9T  
 F=BK-LCP  
 Post: W=With Post, N=W/O Post  
 Contact Plating:  
 G0:Gold Flash  
 G1:3U" Gold  
 G2:5U" Gold  
 G3:10U" Gold  
 G4:15U" Gold  
 G5:30U" Gold  
 S0:Gold Flash/Tin  
 Sn:Tin  
 Packing:  
 O=PE Bag  
 A=Tray  
 T=Tube  
 P=Tube+Cap  
 R=Reel+Cap  
 M=Reel+Mylor



OPERATION		DRAW		SCALE		FIT		TITLE:	
REV	DATE	MODIFICATION DESCRIPTION	CHANGE	DIM	TOL	APPROVE	PROV.	PART NO.	TITLE:
A0	2020.05.08	NEW DRAWING		X.XX	±0.30	CHECK	A4	232802XXXXXXXXMUX01	2.0PF H2.80mm 2xNpin SMT
1				X.XX	±0.20		1/1		
				Angle	±3°				

BESTCONN(WUHAN) TECHNOLOGY CO.,LTD  
<https://bsconnector.com/>