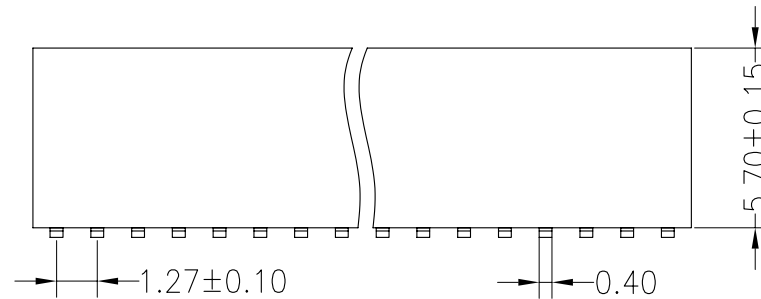
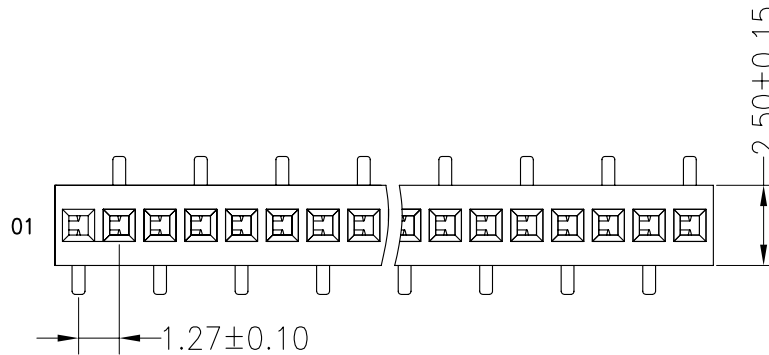
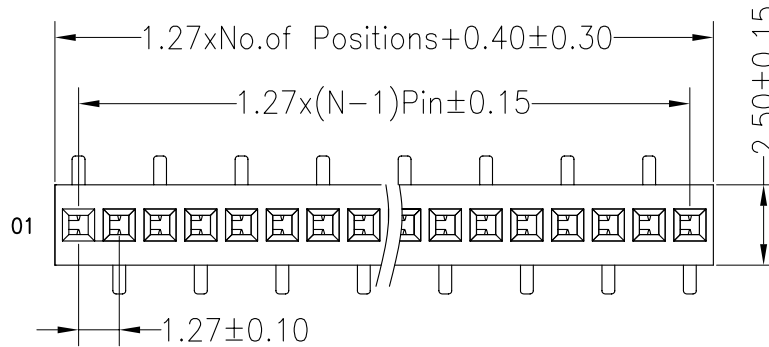




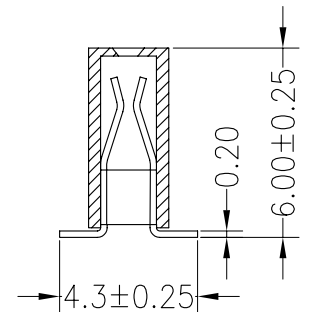
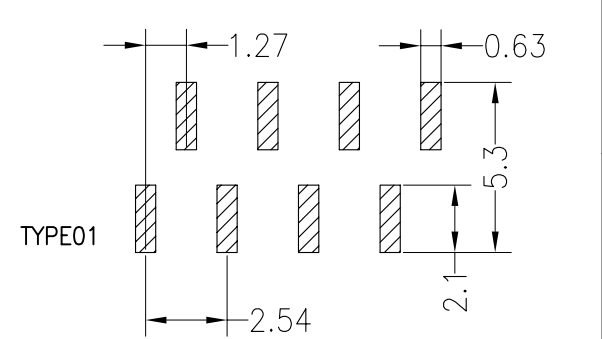
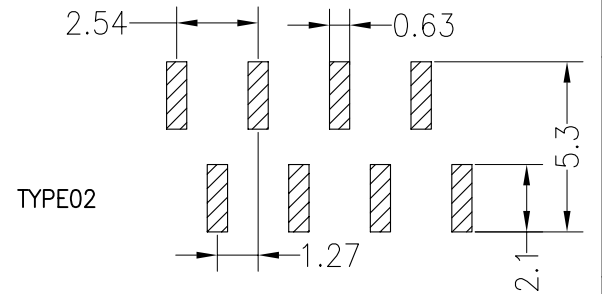
SPECIFICATIONS

Rated Current:1.0AMP
 Contact Resistance:20mΩ Max
 Withstand Voltage:500V AC/DC
 Insulation Resistance:1000MΩ Min
 Operation Temperature:-40°c to +105°c

Contact Material:Phosphor Bronze
 Contact Plating:Au Over Ni
 Insulator Material:Polyester(UL94V-0)
 Standard: PA6T
 Max.Processing Temp: 230°C for 30-60 seconds
 (260°C for 10 seconds)



Recommended P.C.B Layout(Top Side)
 (PCB BOARD TOLERANCE±0.05)



Ordering Information

2457 01 XX X N XX M U X 0X(1,2)

- No.of Pins Per Row 1*50
- Insulator Material Option: A=BK-PBT, B=BK-PA66, C=BK-PA6T, D=BK-PA46, F=BK-LCP
- Contact Plating: G0:Gold Flash, G1:3U" Gold, G2:5U" Gold, G3:10U" Gold, G4:15U" Gold, G5:30U" Gold, S0:Gold Flash/Tin, SN:Tin
- Packing: A=Tray, T=Tube, P=Tube+Cap, R=Reel+Cap, M=Reel+Mylar

				OPERATION		DRAW	YiYuSheng	13.04.18	SCALE	FIT	BESTCONN(WUHAN) TECHNOLOGY CO.,LTD https://bscconnector.com/	
				X.X	±0.30				UNIT	mm		
				X.XX	±0.20	CHECK	SIZE	A4				
A0	2013.04.18	NEW DRAWING		X.XXX	±0.10	APPROVE			SHEET	1/1	PART NO.	245701XXXNXXMU0X(1,2)
REV	DATE	MODIFICATION DESCRIPTION		CHANGE	DIM				TOL	PROJ.	◆ ▽	TITLE: